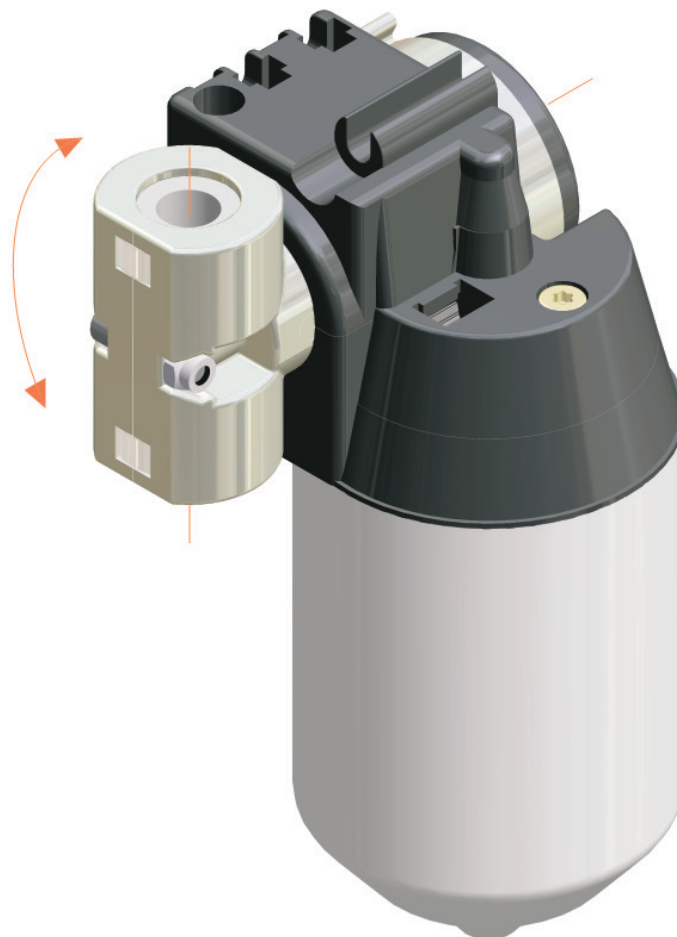


Electric angular gear



motor drives

3 1 8 0



Description:

Direct current motor with worm gear, encoder and angular gear with ratio 1:1.

Special features:

Motor drive with integrated position measuring system.

- Compact design
- Angular gear, housing made of die-cast zinc
- Angular gear with 10° incremental adjustment up to 360°.
- 3 drive shafts
- Cog wheels of the angular gear made of case hardened steel.

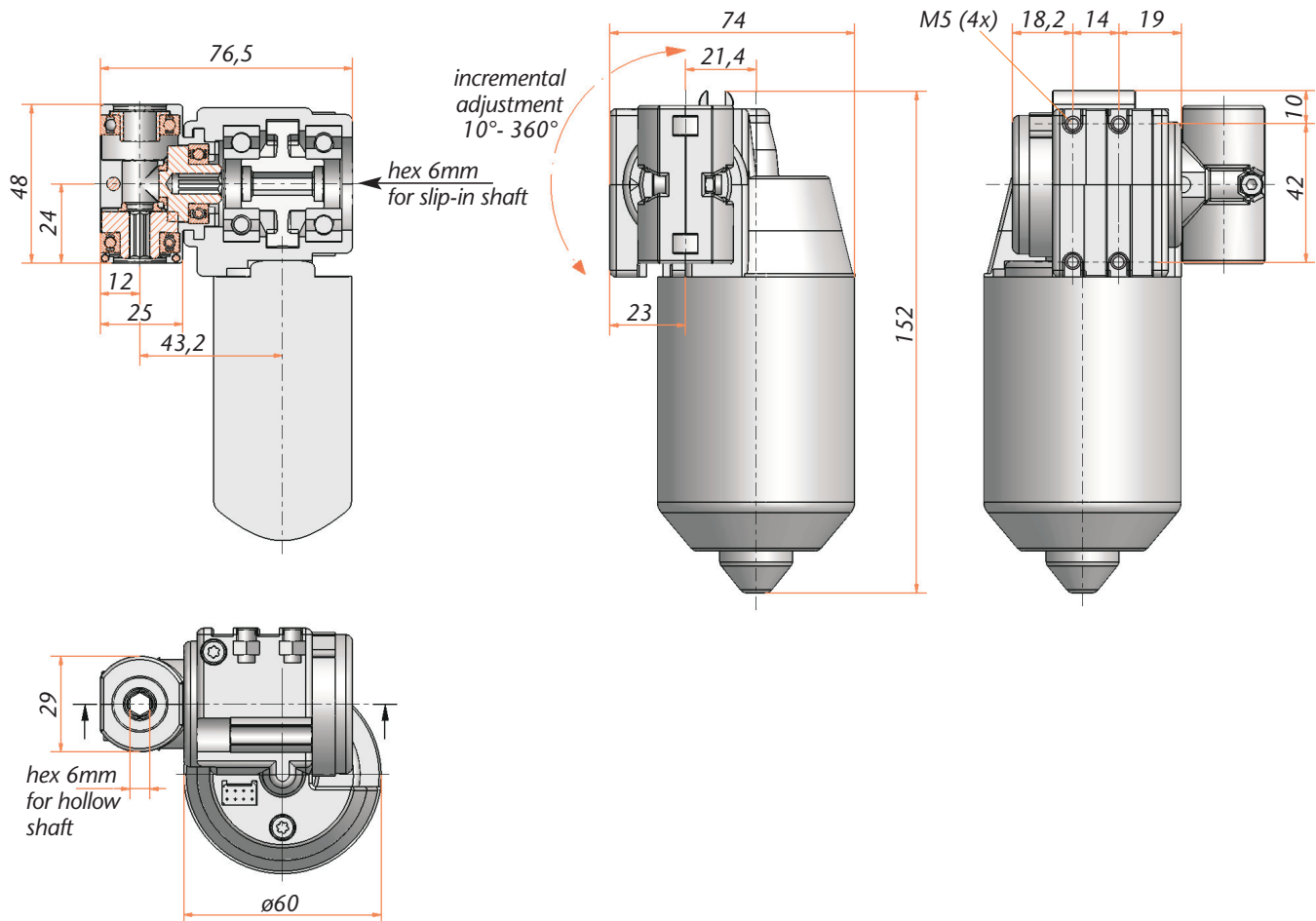
Customer specific:

Compact motor drive for customer specific applications.

Caution:

See technical data sheet.

Electric angular gear 3180



Technical Data

Model	3180
Motor	DC Motor 18 V
Sensor-feed in	Hall/5 V DC/0,3A
Type of protection	IP30
Duty cycle	20% (at 5 min.)
Idle running speed	260 rpm *
Input	hex 6 mm
Max. input torque	2,5 Nm

