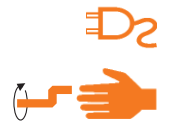


Bevel gear

stepless
height adjustment

3 8 2 4



Description:

These gears are suitable for installation in tubes with an internal diameter of 31 mm. The diameter of the housing can be modified to other tube diameters if the unity quantity is sufficient.

Special features:

- Ratio 1:1
- Housing made of reinforced glass-fibre
- Case-hardened gear-wheels
- Spindle nut made of glass-fibre reinforced plastic
- Conical pinion gear with spindle and supporting tube

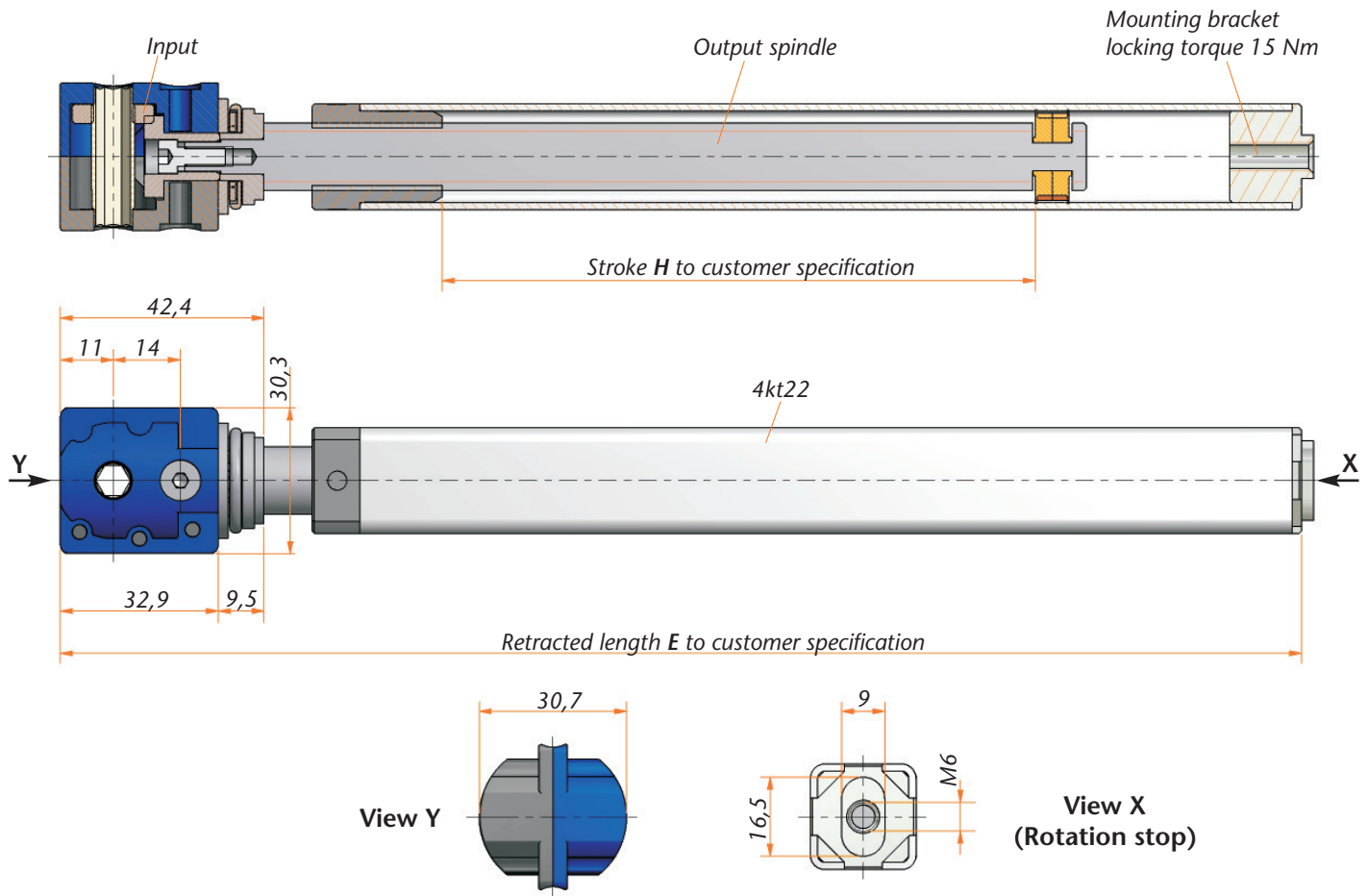
Customer specific:

The gear can be supplied with various spindle lengths and spindle pitches.

Caution:

Please take into account that depending on the spindle pitch, the system could back-drive.

Bevel gear 3824



Installation note:

The gear must be mounted in a precisely tailored round tube.

Block for gear
At high strain the gear must be supported from top

Technical Data

Model	3824
Ratio	1 : 1
Input	hex 6 mm
Type of spindle	Tr 14x3
Stroke max.	retracted length -101 mm
Max. lifting force	1000 N
Max. input torque	3 Nm

