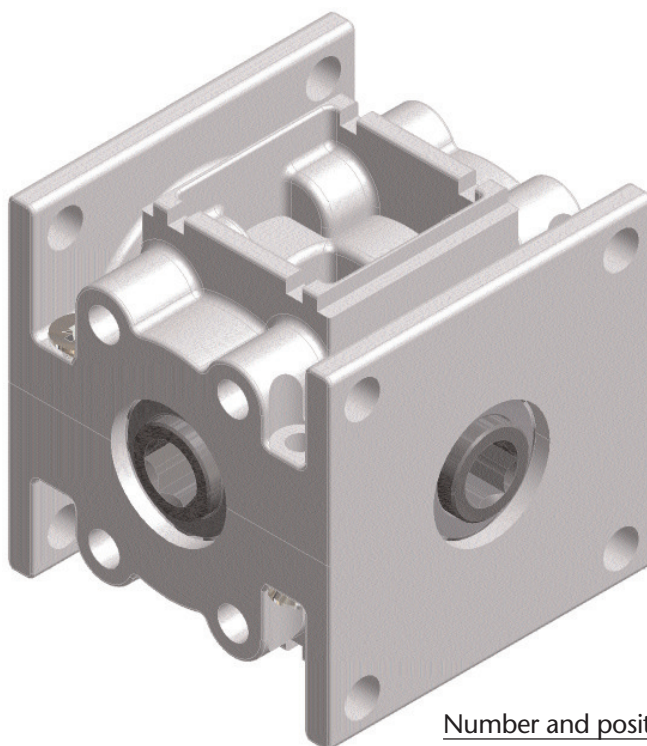


## Bevel gear



bevel gears/  
worm gears

3 8 6 9  
3 8 7 0  
3 8 7 1  
3 8 7 2



Number and position of the inputs/  
outputs Versions:

one output	<b>3870</b>	input
two opposite outputs	<b>3871</b>	input
two outputs 90°	<b>3869</b>	input
three outputs	<b>3872</b>	input

### Description:

Deviating gear, power divider and front gearing for electric motors, e.g. for blinds, actuator for special machinery.

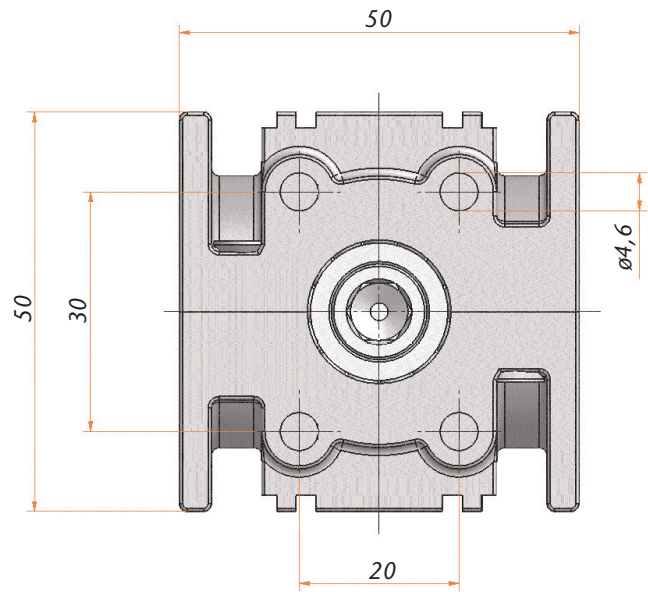
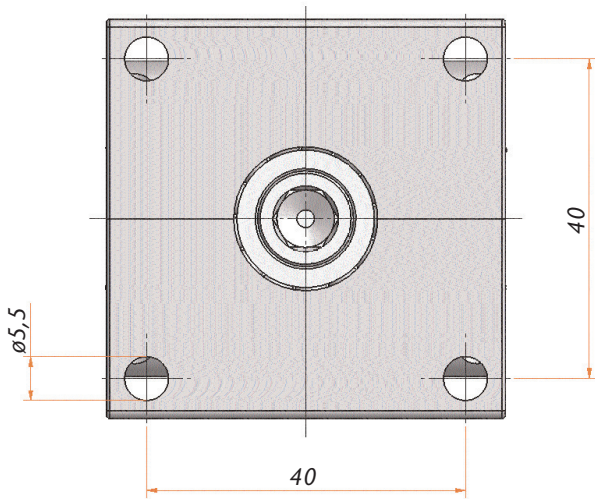
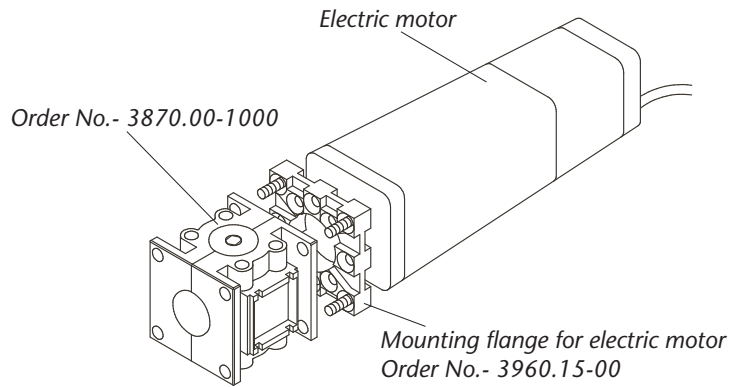
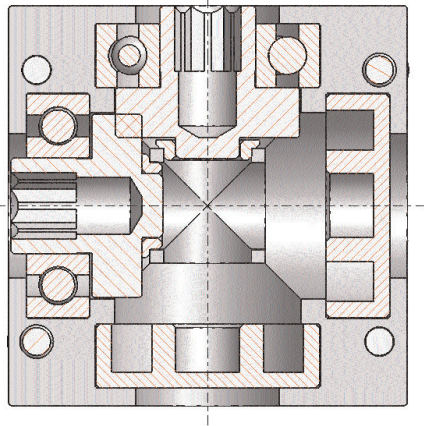
### Special features:

- Ratio 1 : 1
- Housing made of zinc die-casting
- Hardened, bearing seated steel gear cogs
- Particularly suitable for motorized solutions
- Up to three inputs are possible.

### Customer specific:

Because of its modular design it is possible to meet special customer requirements even for small quantities.

# Bevel gear 3869 / 3870 / 3871 / 3872



## Technical Data

Model	3870
Ratio	1 : 1
Input in mm	hex 7
Output in mm	hex 7
Max. input torque in Nm	10