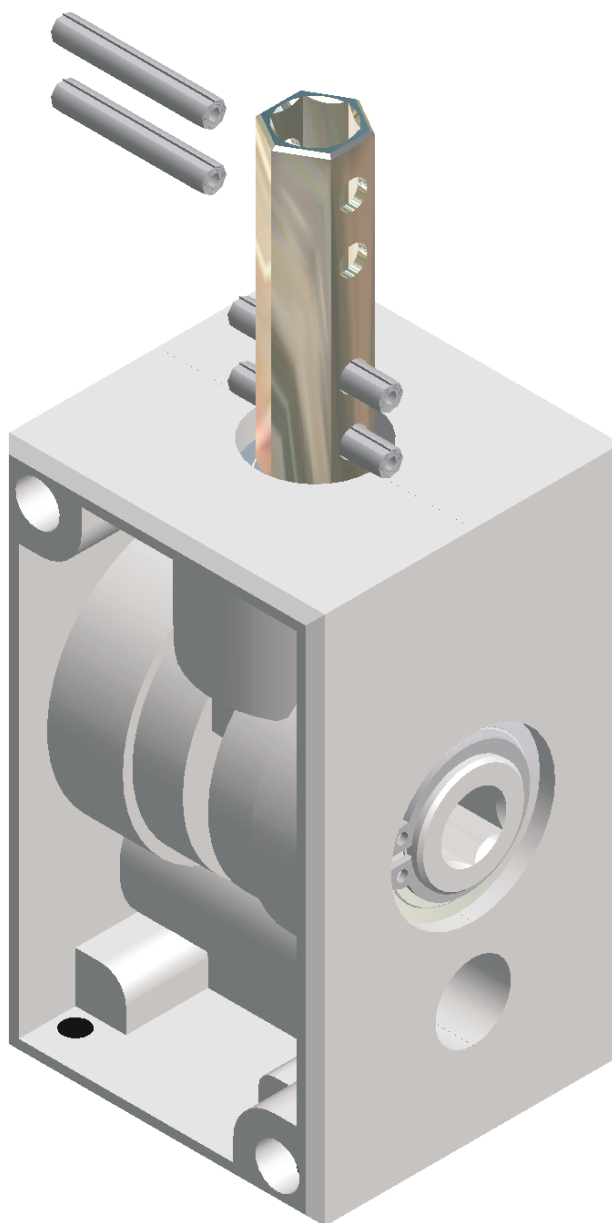


Bevel gear



sun protection

3 8 7 4



Description:

Compact gear for big umbrellas, engineering, dividing wall systems.

Special features:

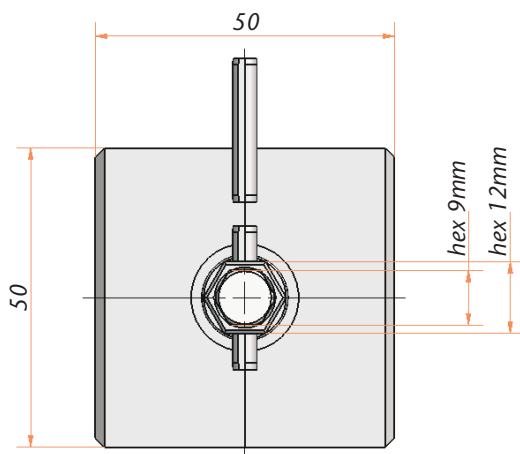
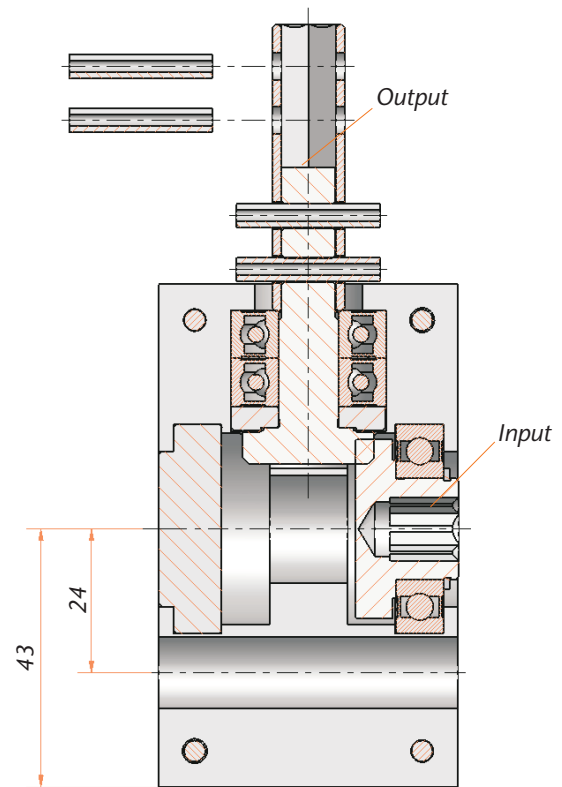
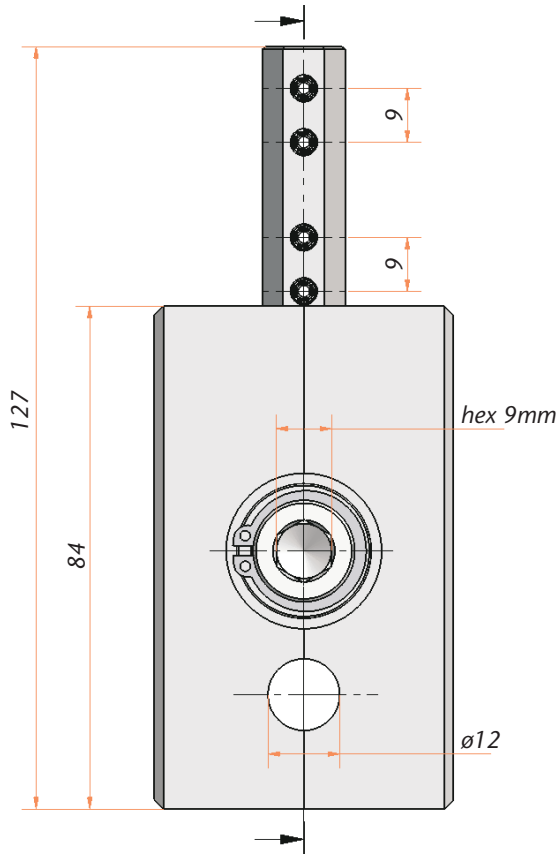
A special toothing ensures a smooth running of the gear.

- Ratio 1 : 1,5
- Housing made of die-cast zinc
- Case-hardened cog wheels

Customer specific:

Input and output can be modified to a customer specific appliance.

Bevel gear 3874



Technical data

Model	3874
Ratio	1 : 1,5
Input	hex 9 mm
Output	hex 9 mm
Number of cog wheels	2
Housing material	die-cast zinc
Max. output torque	4 Nm

