

## Electro motor with angular gear



motor drives

4028



### Description:

Drive unit consisting of DC-motor with planetary gear, encoder and angular gear. In combination with control box 3143, the ideal electromotive solution for your individual drive.

### Special features:

- Small compact design
- Planetary and angular gear combination, housing made of plastic
- Gear cogs are made of case hardened steel

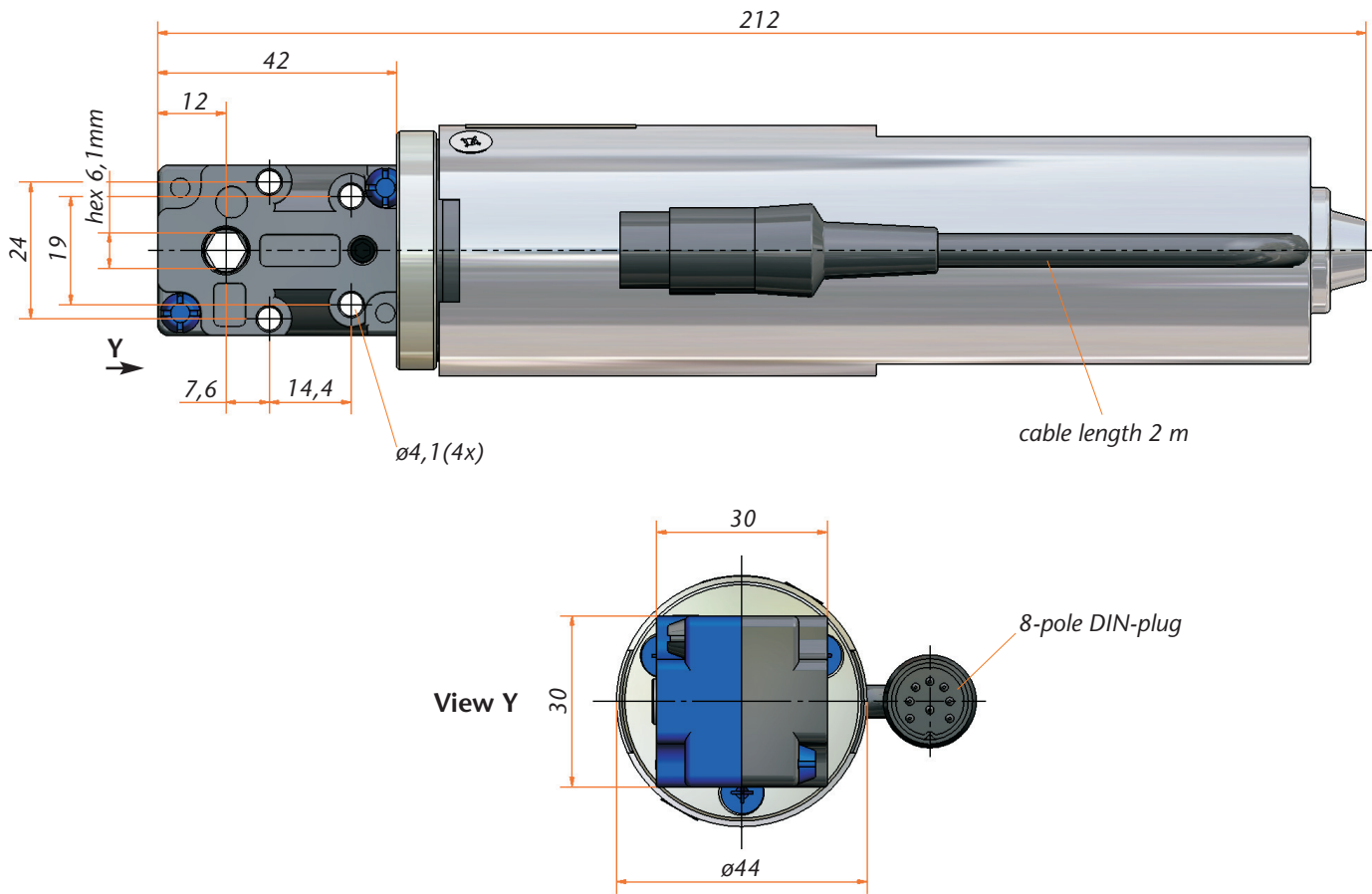
### Customer specific:

The drive shaft can be modified to customer specifications.

### Caution:

See technical data sheet

# Electro motor with angular gear 4028



## Technical data

Model	4028
Motor	DC Motor 24 V
Sensor/feed in	two Hall DC
Protection class	IP30
Duty cycle	10% (at 10 Min.)
Idle running speed	200 rpm (24V) 285 rpm (33V)
Impulse/Rotation output shaft	2 x 40 (90° phasing torsion)
Input in mm	hex 6 hollow shaft
Max. input torque in Nm	3