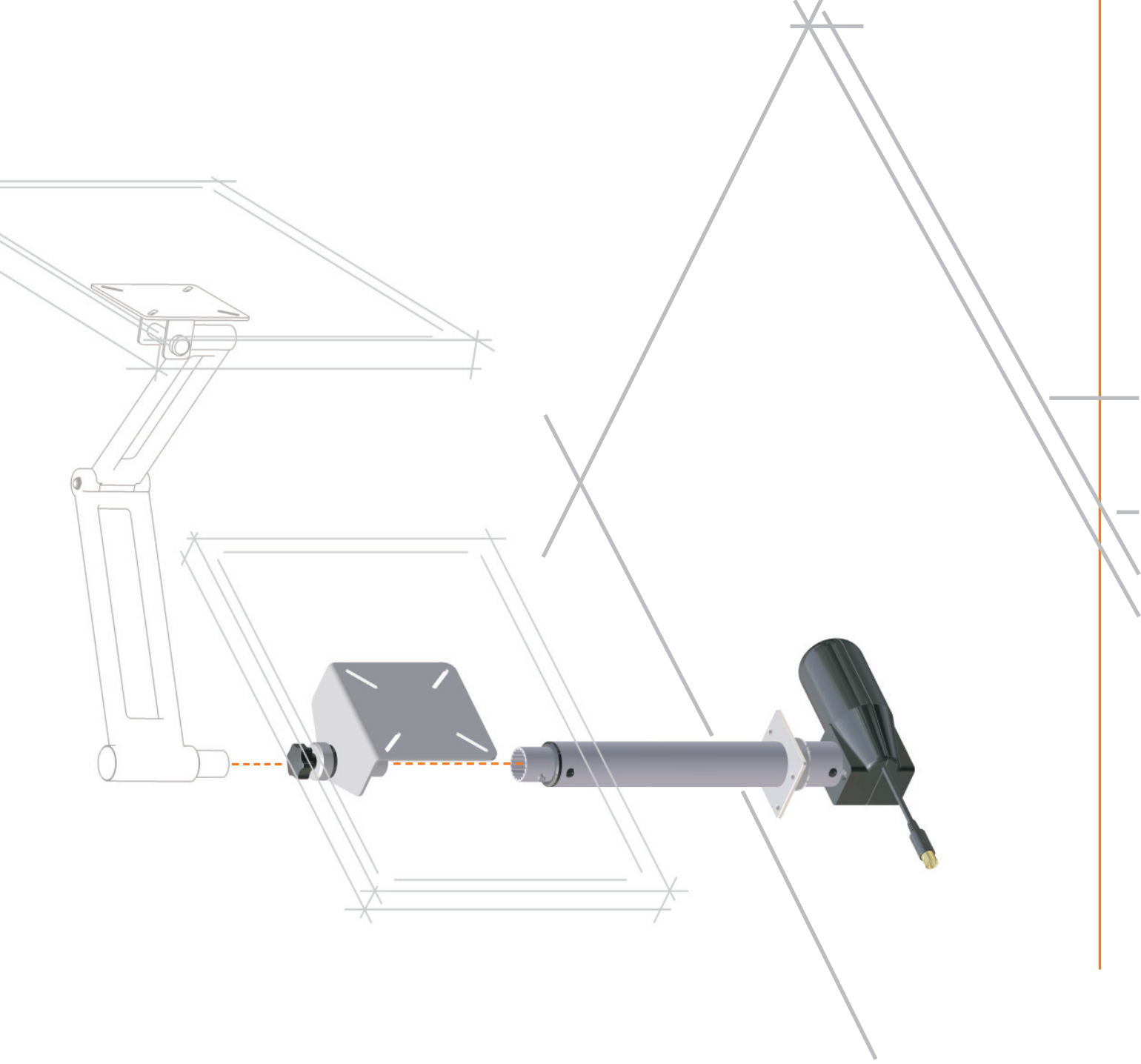


Monitor lifting system 4141 - Applications and accessories

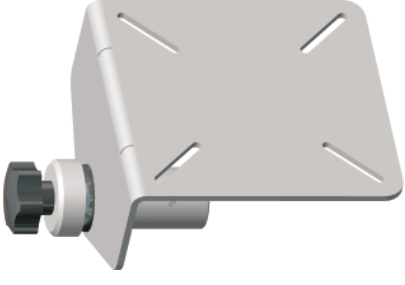
By using a control and activating a simple button the monitor can be raised continuously to any desired position.

Monitors with a maximum weight of 15 kg can be adjusted steplessly vertically. Also suitable for mounting of wide screens of the latest generation with 17", 19", 21", 24".

The monitor lifting systems offers maximum comfort for adjusting the perspective and is a perfect solution for the ergonomic work station.



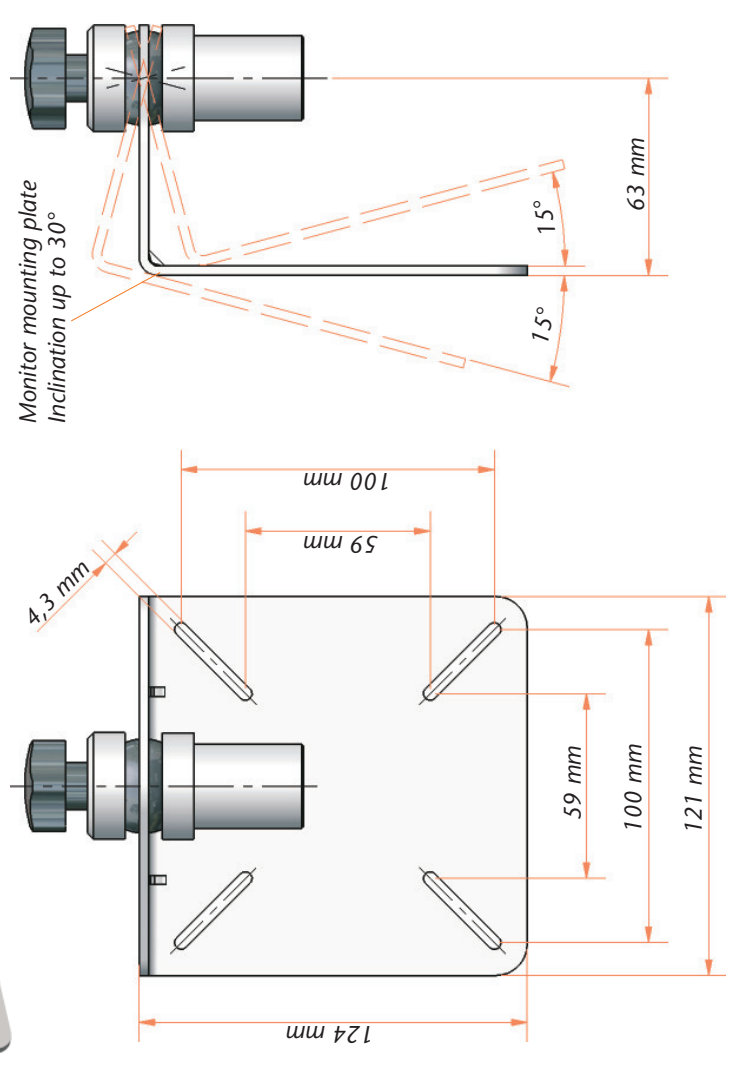
Monitor mounting plate - Ketterer (Order-No. 4141.35-0001)



Mounting bore holes according to VESA - FPMPMI Norm
VESA - hole pattern

75 mm x 75 mm
100 mm x 100 mm

enables the mounting of the current LCD monitors



Monitor swivel arm (on request different supplier)

Mounting bore holes according to VESA - FPMPMI Norm

