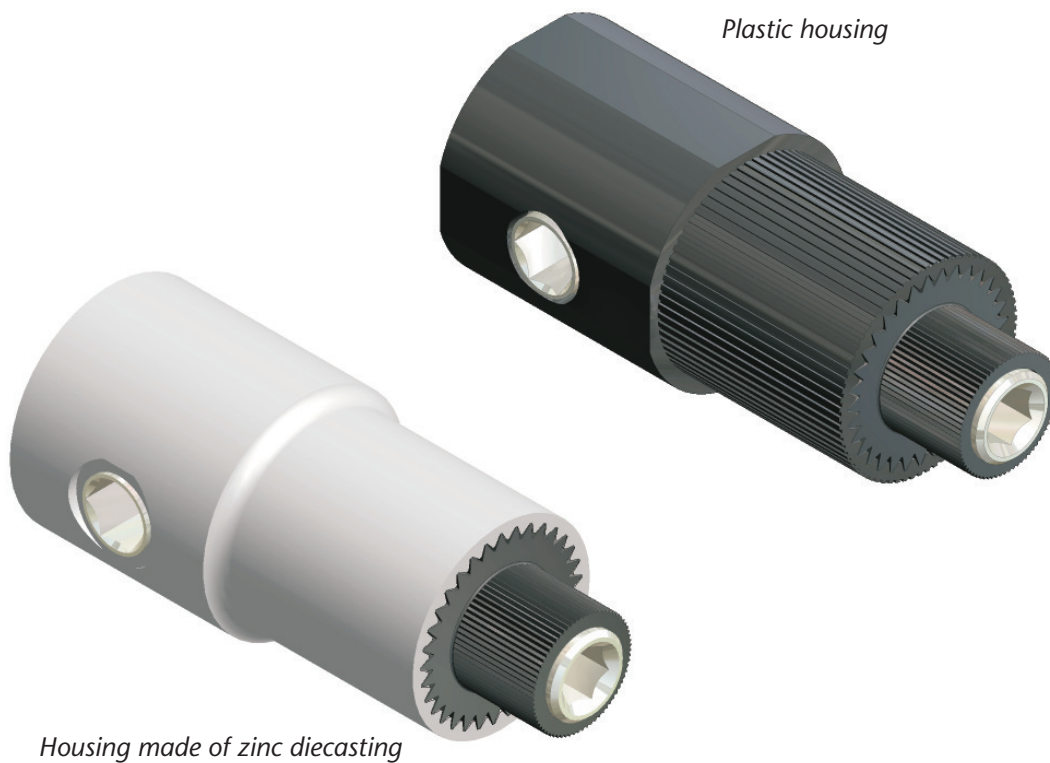


Bevel gear



sun protection

4 3 1 8
4 3 2 4



Description:

Gear for blinds, a left or right mounting is possible. The two gear types are braking on both sides on the output side.

Special features:

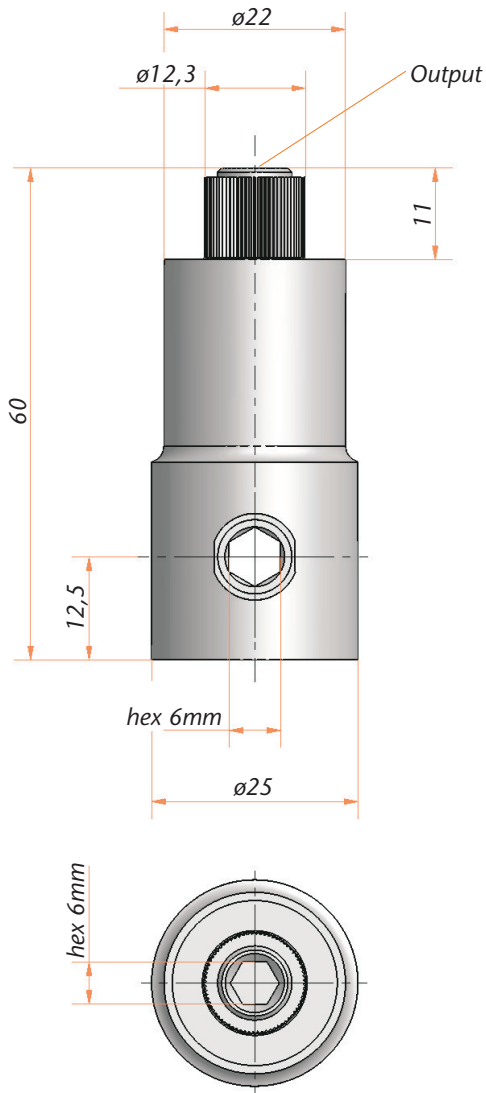
- Ratio 1:1
- Housing made of GFK or die-cast zinc
- Milled steel gear cogs

Customer specific:

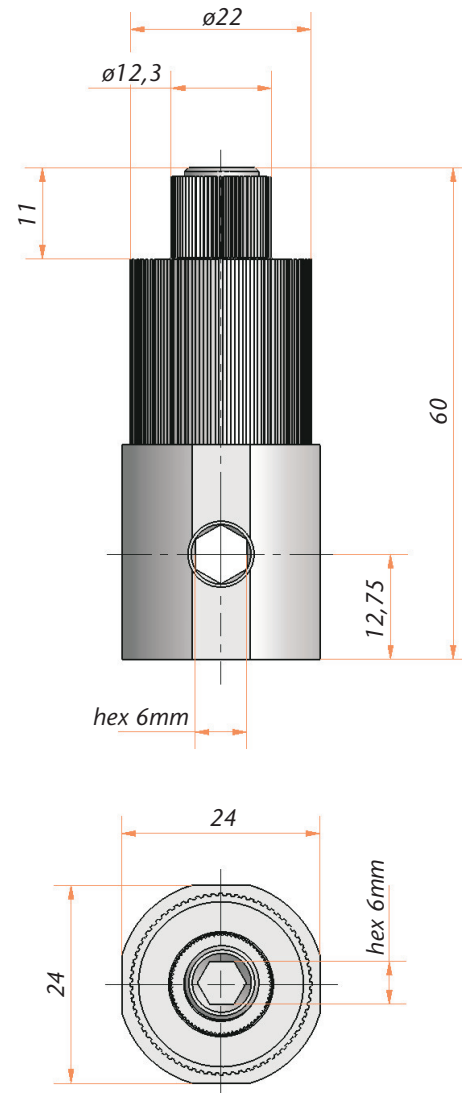
Input and output are modifiable for a customer specific application.

Bevel gear 4318/4324

Housing made of zinc diecasting



Housing made of plastic



Technical Data

Baureihe	4318	4324
Ratio	1 : 1	1 : 1
Input	hex 6 mm	hex 6 mm
Output	hex 6 mm	hex 6 mm
Number of gear cogs	2	2
Housing material	Plastic	Zinc diecasting
Max. input torque	1,5 Nm	1,5 Nm
Max. output holding torque	3 Nm	3 Nm