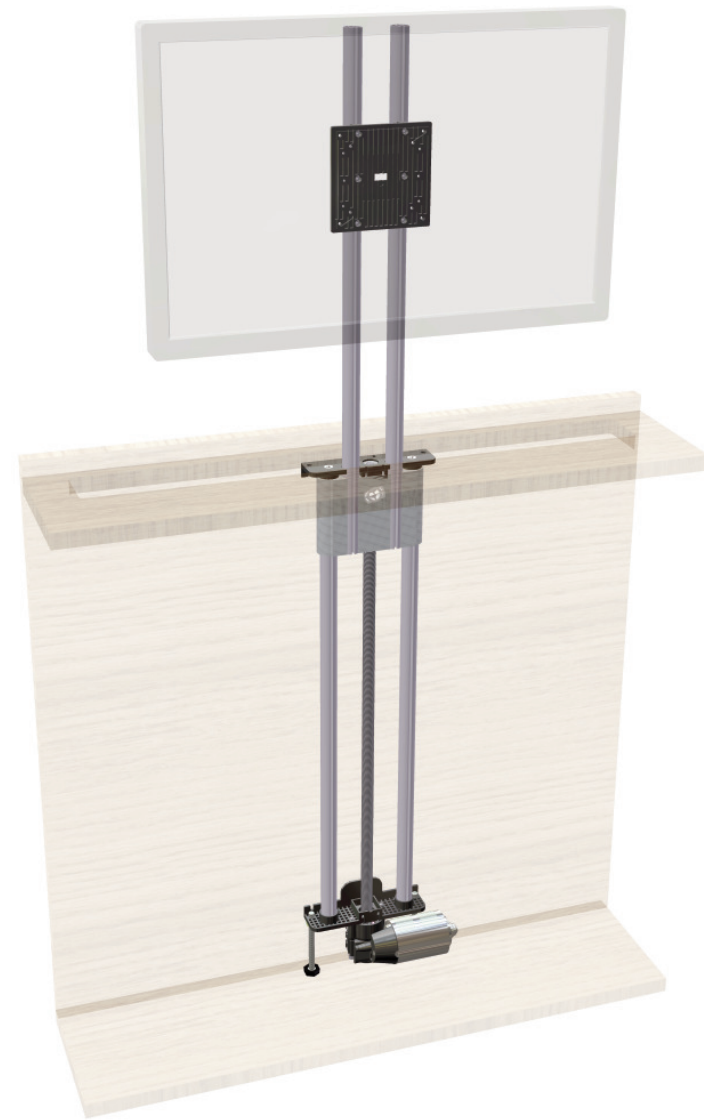


Ket-Screen Lift S



4 7 0 1
-Small-



Control box Compact-3

Dimensions : 285x103x37
Item number:
1000.49-V94Hxxxx

Infrared set

IRR-DSK-SET-LIGHT
Complete with trans-
mitter and receiver
Item number:
3143.47-08



**Alternative to infrared set
Handset**

HSM-OD-2-LD
Handset
with up-down func-
tion
Item number:
3143.47-30



Cable

Connection motor/control box
Length : 2 m
Item number:
4138.53-02



**Optional:
Additional
mounting plate**

Including screws for mounting
of the push rods
Item number:
4701.35-0007

**Optional:
Adjustment screw**

2 pieces incl. nut
adjustment range:
Standard/Basic -
Short -
Item number:
4701.51-0001

19 mm
75 mm



Description:

Cost-efficient, compact lifting system
For screens up to 24" and weights up to 25 kg.

Special features:

System with high lifting speed.
Simple installation.
Very low noise level allows applications in
noise sensitive areas.

Customer specific:

The system can be supplied with any stroke
up to 750 mm even for single piece deliveries.

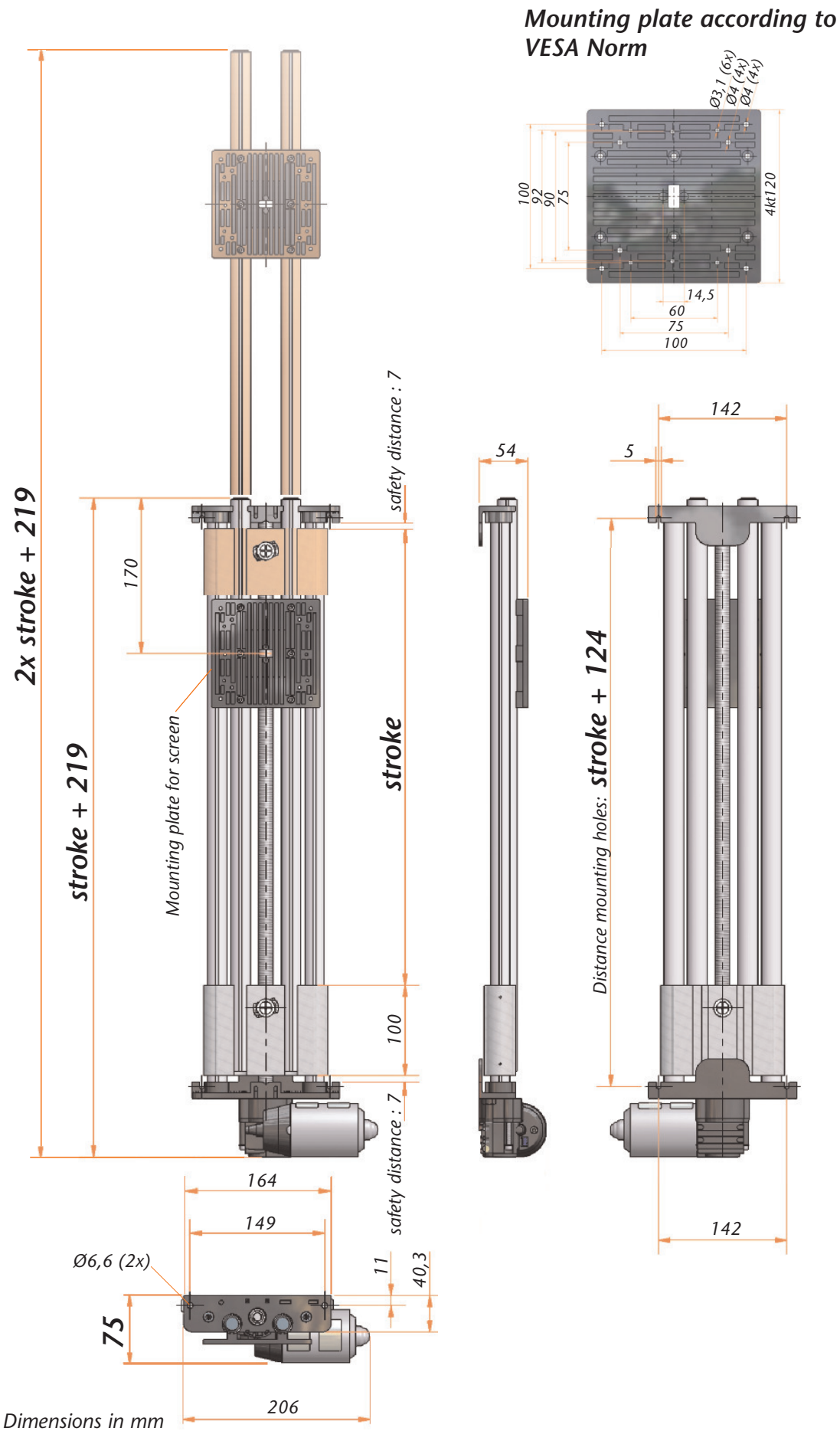
Safety information:

Anti-pinch-system can be connected.

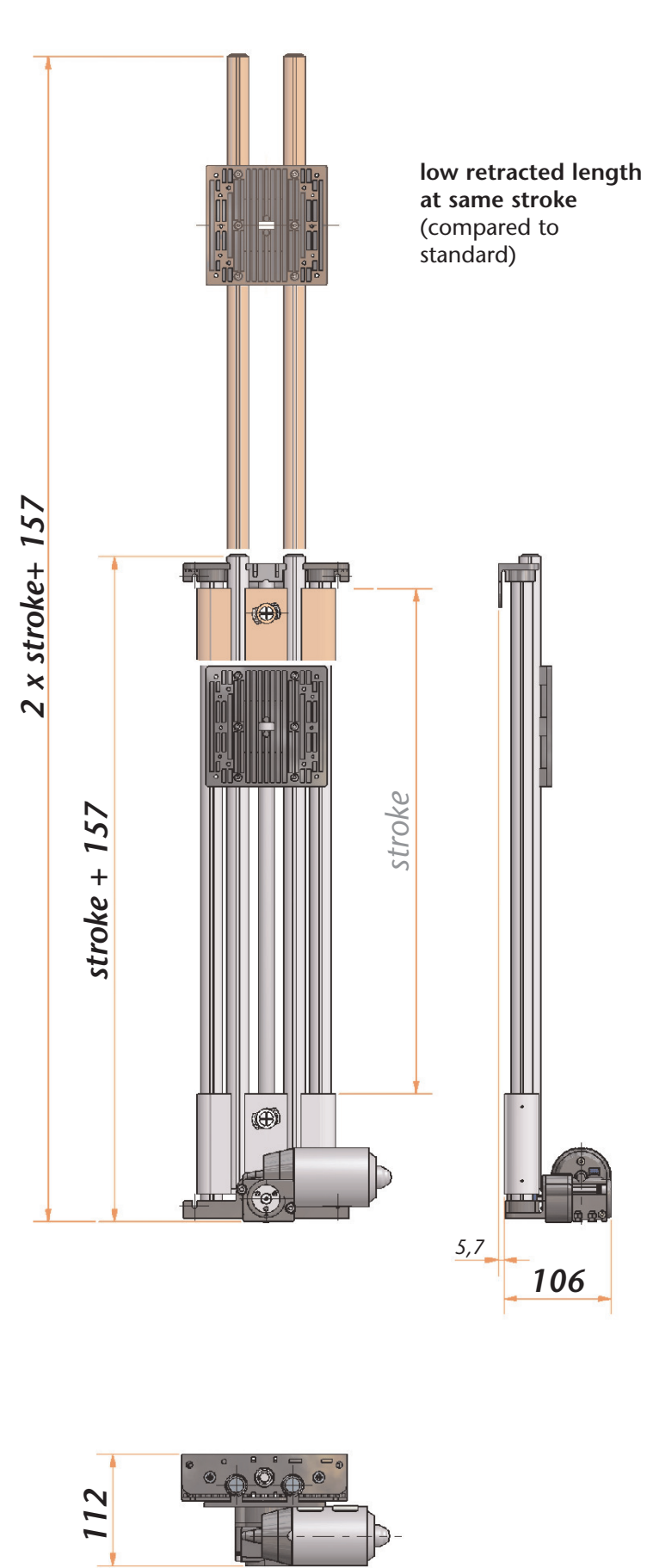
Technical Data

<i>KET-Screen Lift S</i>	<i>Standard</i>	<i>Short</i>	<i>Basic</i>
<i>Stroke</i>	Specification customer max.750mm	Specification customer max.750mm	Specification customer max.750mm
<i>Retracted length</i>	Stroke+219	Stroke+157	Stroke+215
<i>Maximum load</i>	250 N	250 N	250 N
<i>Maximum screen size</i>	24"	24"	24"
<i>Path feed rate</i>	90 mm/s	90 mm/s	90 mm/s
<i>Item number</i>	4701.00-V03Hxxxx	4701.00-V05Hxxxx	4701.00-V07Hxxxx

Standard



Short



Basic

