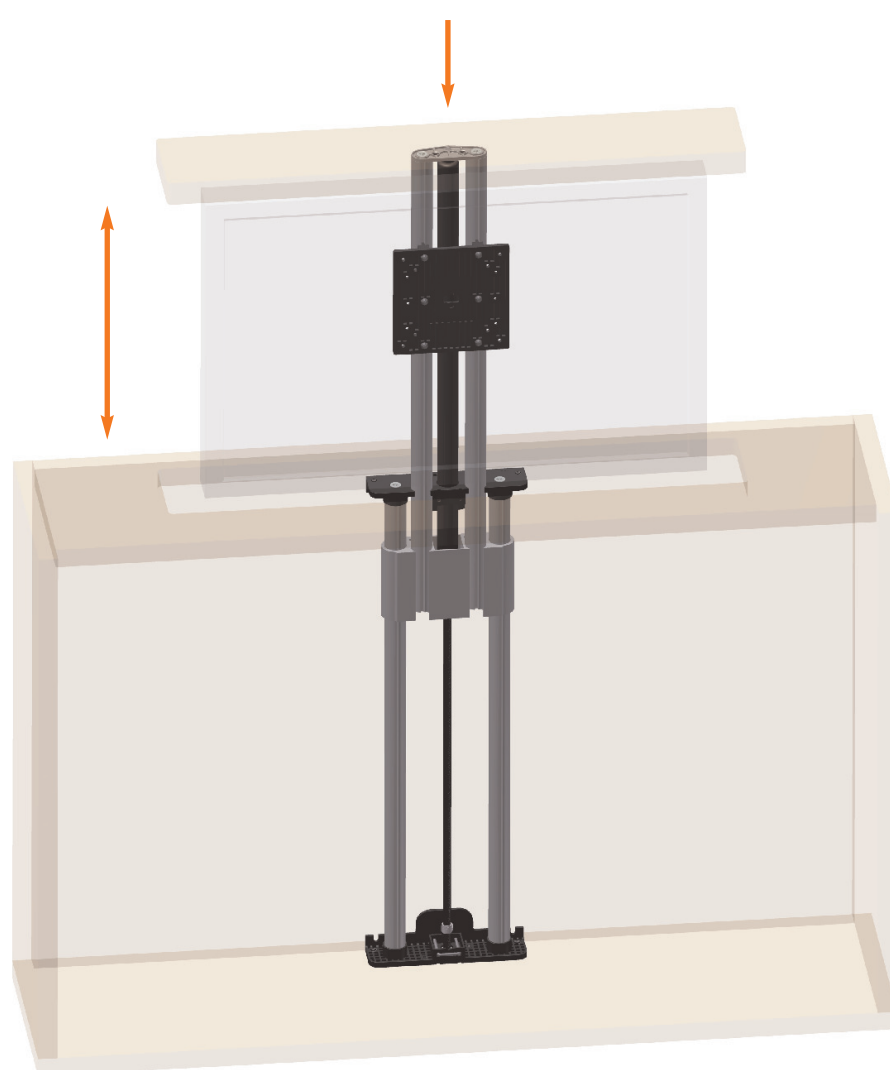


Ket-Spring Lift S



4 7 0 1
-Spring-

Description:

Compact lifting system for flat screens. Lifted by a gas spring without motor drive.

Special features:

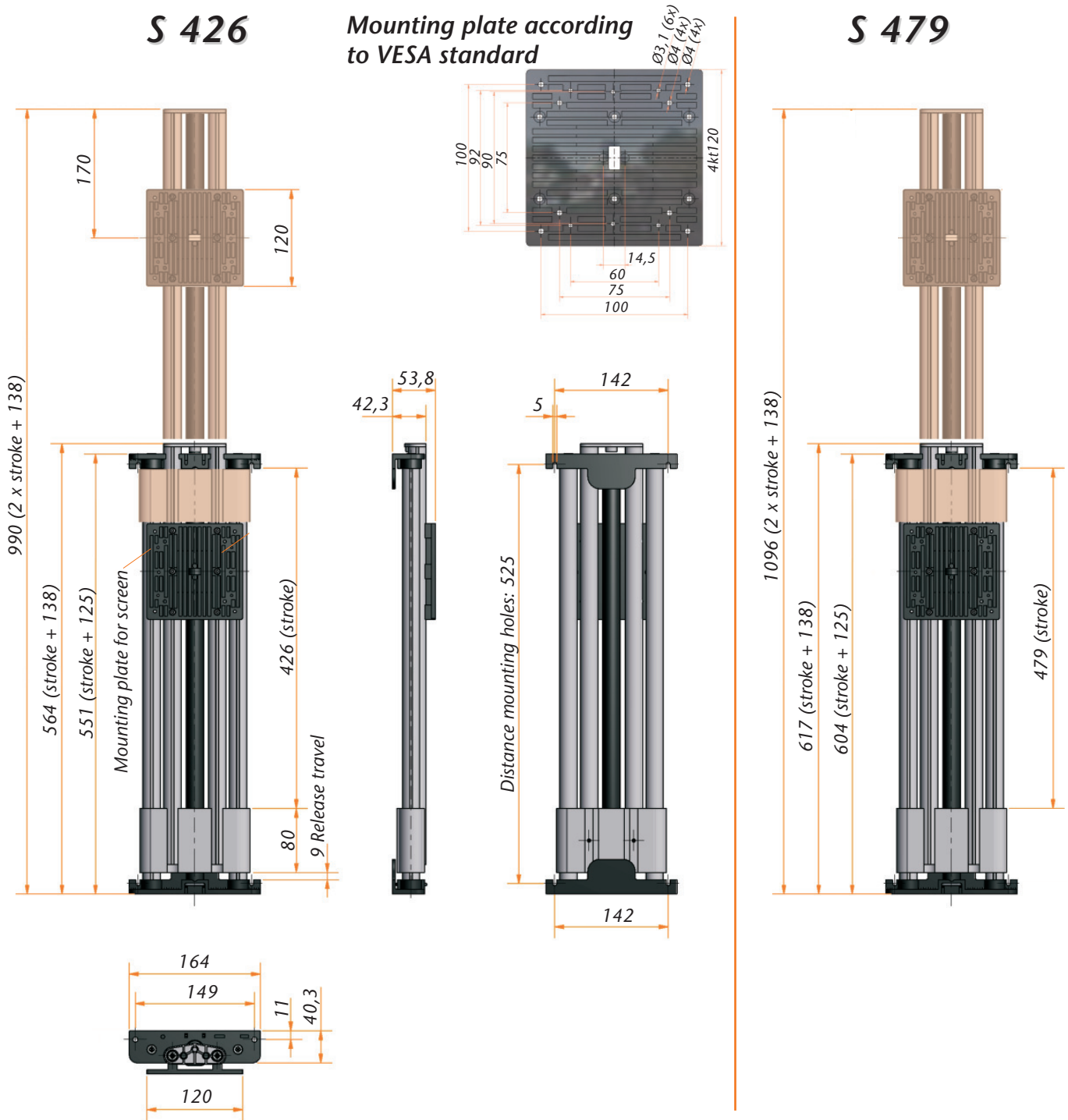
The damped gas spring ensures a very smooth stop of the unit.

- very small unit, suitable for tight spaces.

Customer specific:

Customer specific lengths and lifting forces can be realized with a minimum order quantity of 100 pieces.

Ket-Spring Lift S



Technical Data

Ket-Spring Lift S	S 426	S 479	Customized design from 100 pieces upwards
Stroke	426	479	Customer specification
Minimum mounting dimensions	564	617	Stroke + 138 mm
Maximum load for vertical installation	45 N	80 N	Customer specification
Recommended maximum screen size	24"	24"	24"
Item number	4701.00-2000	4701.00-2001	4701.00-2xxx