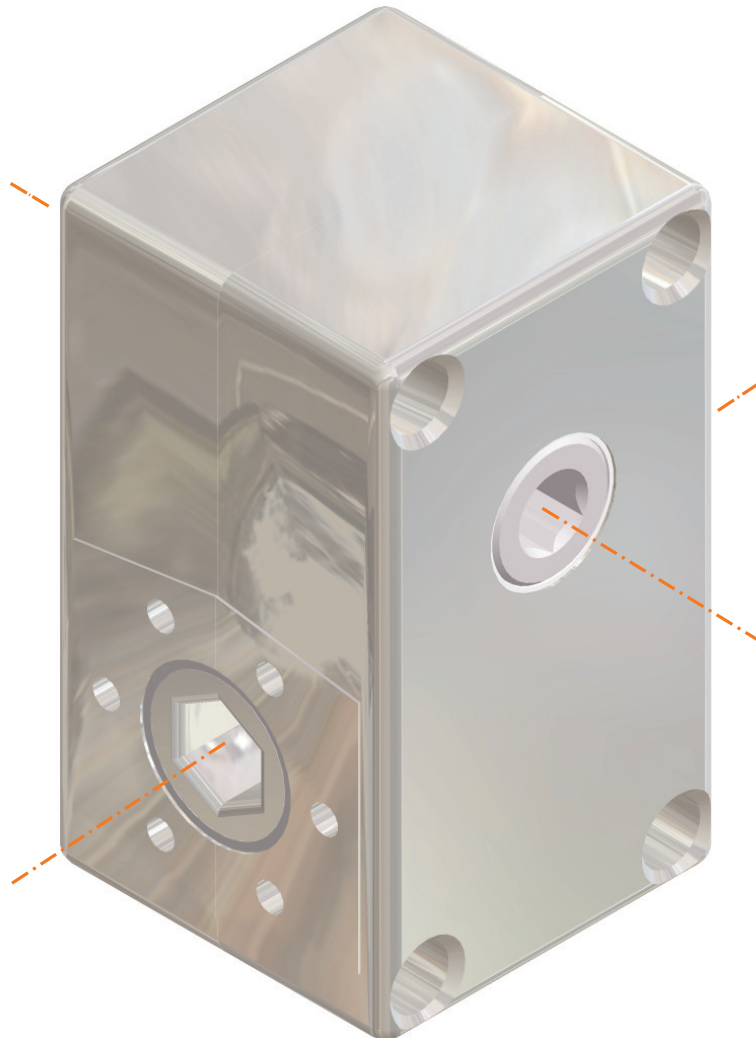


Worm gear

bevel gears/
worm gears



4 7 3 1
4 7 3 3
4 7 3 4
4 7 3 7
4 7 3 9
4 7 4 2



Description:

Compact worm gear

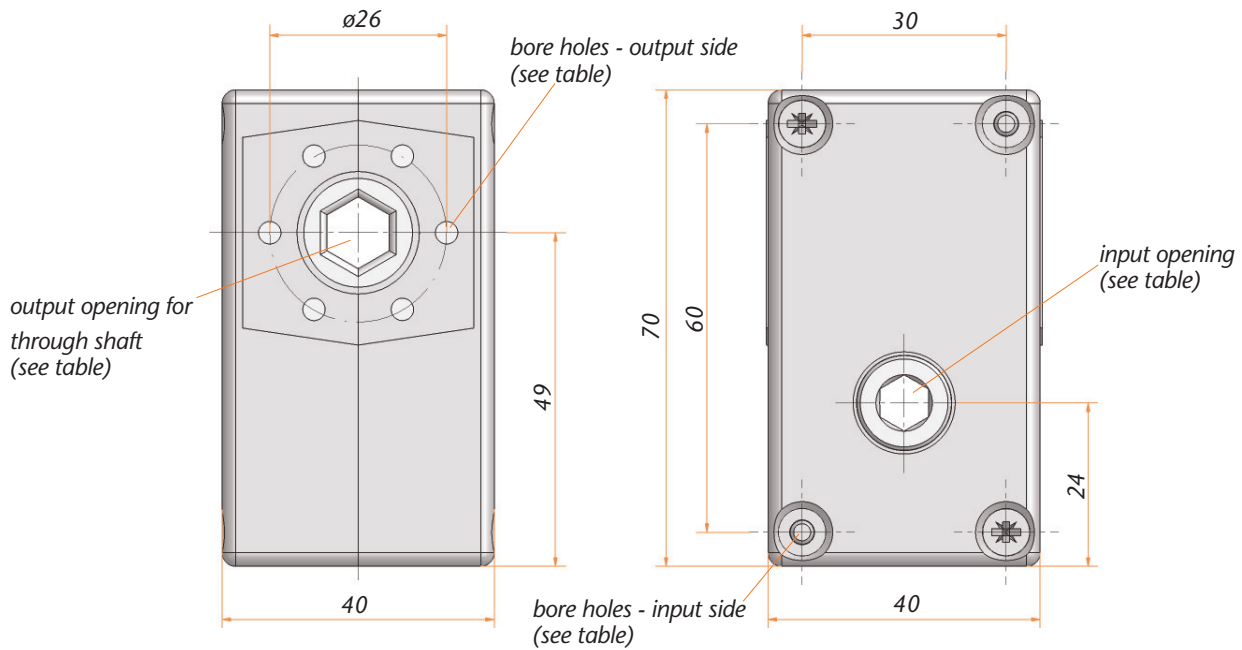
Special features:

- Ratio 1 : 1; 2 : 1; 3,25 : 1; 4,33 : 1; 7 : 1; 8,5 : 1; 17 : 1; 20 : 1; 30 : 1
- Housing made of die-cast zinc
- Gear with synthetic friction bearing

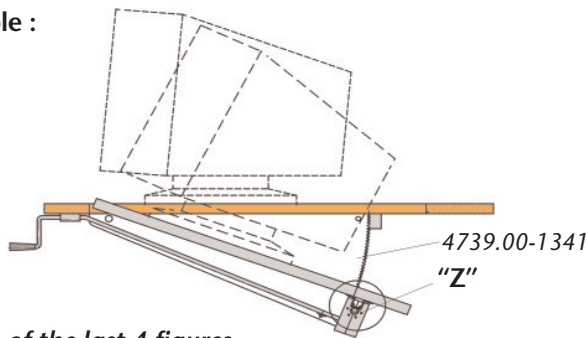
Customer specific:

Input and output can be modified to customer requirements.

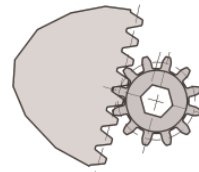
Worm gear 4731/4733/4734/4735/4737/4739/4742



Example :



Detail "Z"



Designation of the last 4 figures of the order number

bore holes - output side (see drawing)		bore holes - input side (see drawing)			output opening for through shaft (see drawing)					input opening for through shaft (see drawing)		
3,3 mm	M4	7 mm	M4	M8	square 10 mm	square 8 mm	Tr14x4 right	hex 9 mm	hex 10 mm	hex 6 mm	hex 7 mm	square 8 mm
1XXX	2XXX	X1XX	X2XX	X3XX	XX1X	XX2X	XX3X	XX4X	XX5X	XXX1	XXX2	XXX3

Technical Data

Model	4731.00-XXXX	4743.00-XXXX	4733.00-XXXX	4734.00-XXXX
Ratio	1 : 1	2 : 1	3.25 : 1	4.33 : 1
Self - locking	no	no	yes	yes
Max. output torque in Nm	2	3	4	5

Model	4737.00-XXXX	4739.00-XXXX	4744.00-XXXX	4742.00-XXXX	4745.00-XXXX
Ratio	7 : 1	8.5 : 1	17 : 1	20 : 1	30 : 1
Self - locking	yes	yes	yes	yes	yes
Max. output torque in Nm	7	9	12	15	17