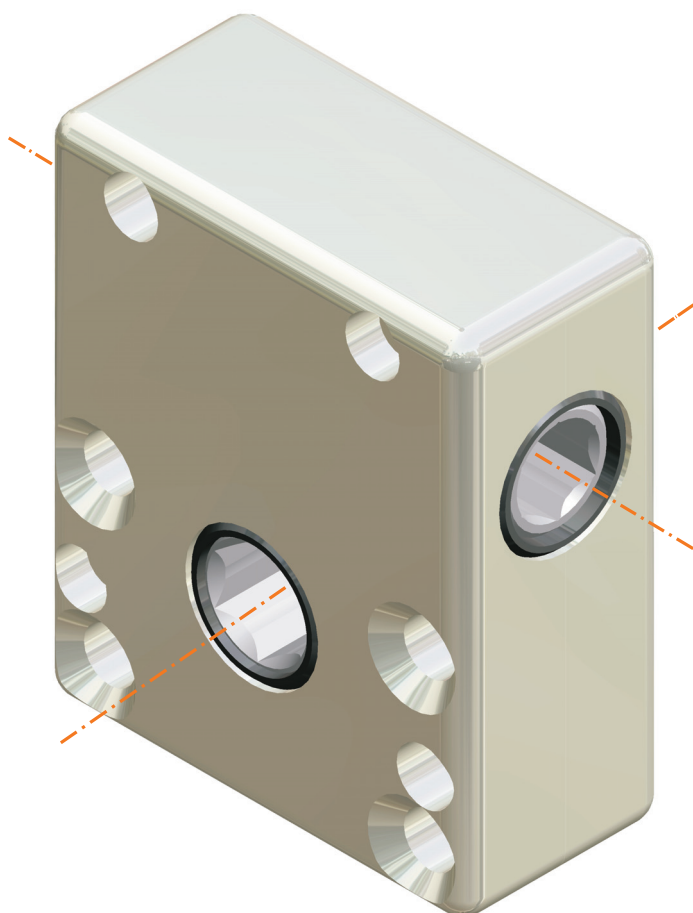


Worm gear



bevel gears/
worm gears

4 7 4 8
4 7 5 0
4 7 5 1
4 7 5 3
4 7 5 7
4 7 5 8
4 7 6 3
4 7 6 7



Description:

Compact worm gear. The input is on the small side of the gear. The gears is particularly suitable for manual operation.

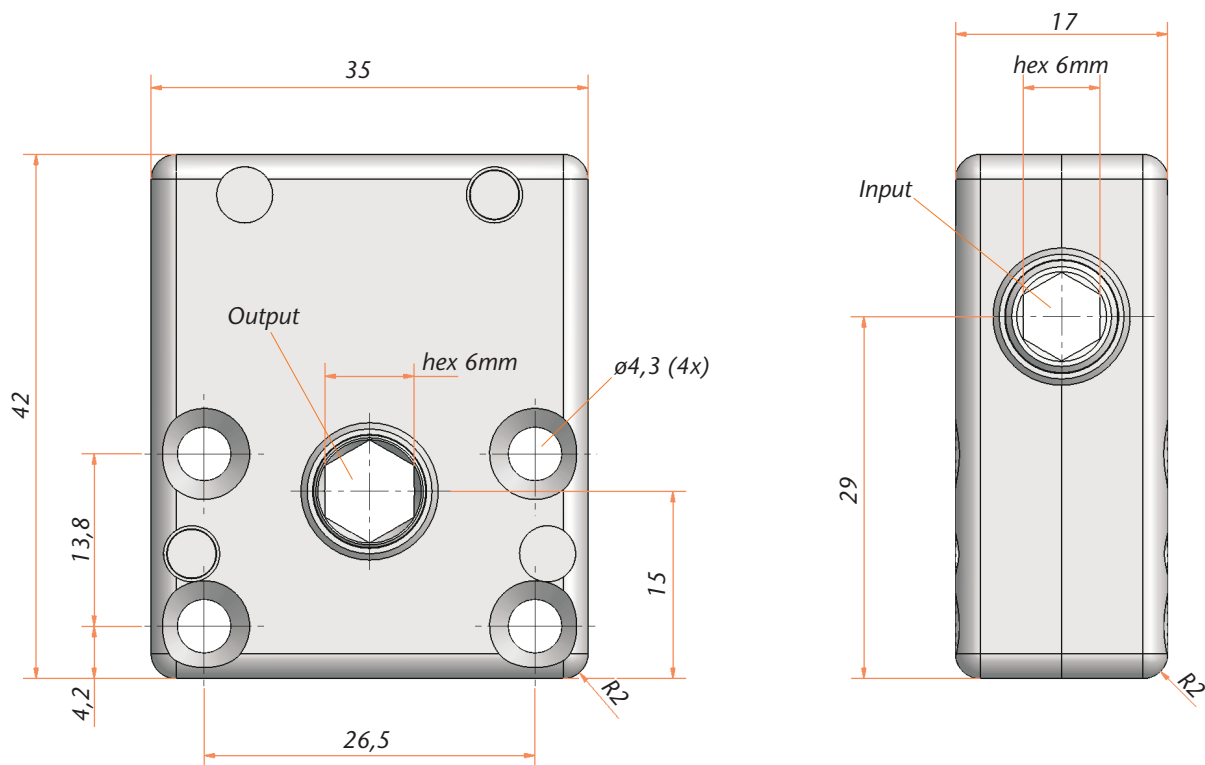
Special features:

- Ratio 1 : 1, 2:1, 2.8 : 1, 4.33 : 1, 10 : 1, 14 : 1, 15 : 1
- Gear with synthetic friction bearing
- Worm and cog wheel made of case hardened steel
- Housing made of die-cast zinc
- Special model with bronze bearing

Customer specific:

On customer request the gear is also available left-handed.

Worm gear 4748/4750/4751/4753/4757/4758/4763/4767



Technical Data

Model	4748.00-00	4750.00-00	4751.00-00	4753.00-00	4757.00-00
Ratio	4,33 : 1	10 : 1	1 : 1	2,8 : 1	14 : 1
Self-locking	yes	yes	no	no	yes
Input	hex 6 mm	hex 6 mm	hex 6 mm	hex 6 mm	hex 6 mm
Output	hex 6 mm	hex 6 mm	hex 6 mm	hex 6 mm	hex 6 mm
Max. output torque	2 Nm	4 Nm	2 Nm	2,5 Nm	5 Nm
Max. input torque	3 Nm	3 Nm	4 Nm	3 Nm	2,5 Nm

Model	4758.00-00	4763.00-00	4767.00-00
Ratio	15 : 1	23 : 1	2 : 1
Self-locking	yes	yes	no
Input	hex 6 mm	hex 6 mm	hex 6 mm
Output	hex 6 mm	hex 6 mm	hex 6 mm
Max. output torque	4 Nm	3 Nm	2 Nm
Max. input torque	1 Nm	1 Nm	3 Nm