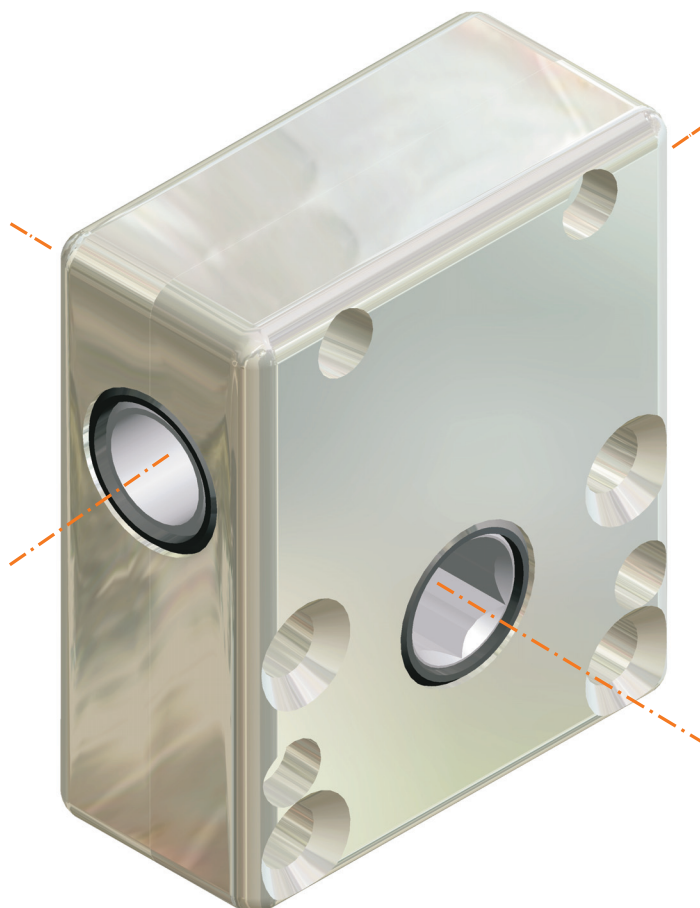


## Worm gear



bevel gears/  
worm gears

- 4747
- 4749
- 4751
- 4752
- 4754
- 4755



### Description:

Compact worm gear. The input is on the breadth side of the gear. The gears is particularly suitable for manual operation.

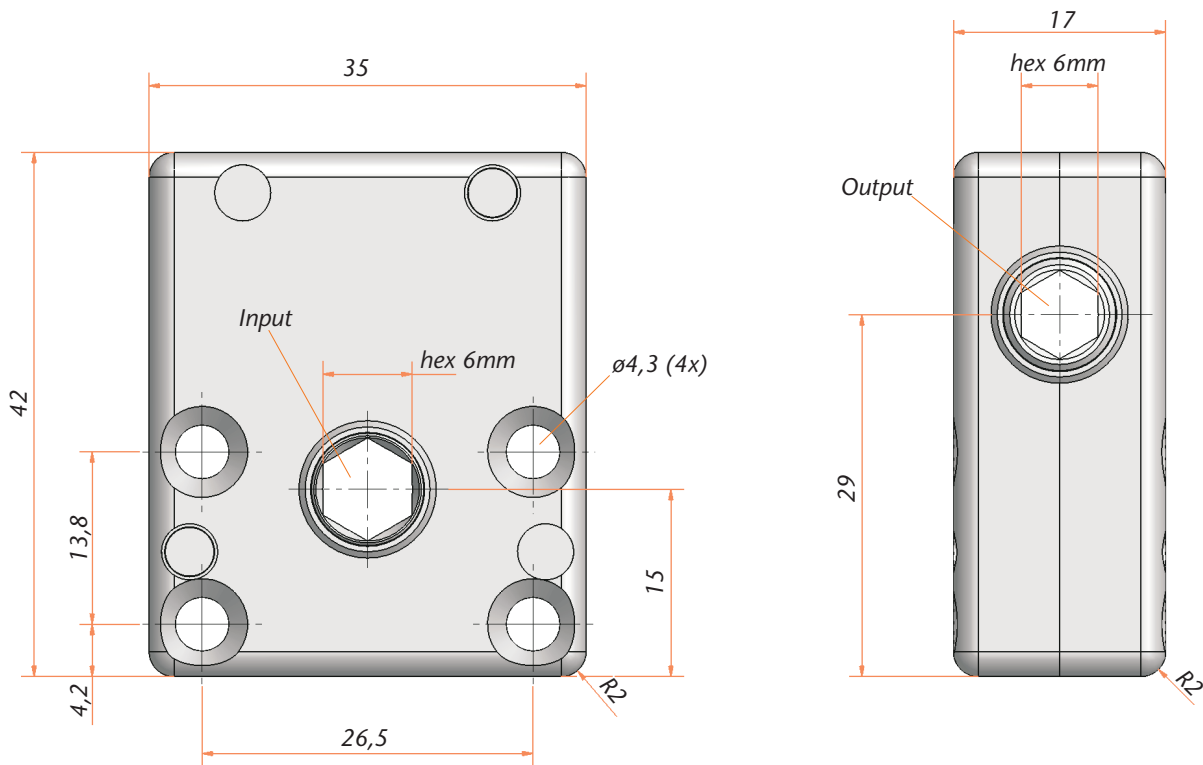
### Special features:

- Ratio 1 : 1, 2.5 : 1, 3.33 : 1, 4.33 : 1, 6 : 1, 13 : 1
- Gear with synthetic friction bearing
- Worm and cog wheel made of case hardened steel
- Housing made of die-cast zinc
- Special model with bronze bearing

### Customer specific:

On customer request the gear is also available left-handed.

# Worm gear 4747/4749/4751/4752/4754/4755



## Technical Data

Model	4747.00-00	4749.00-00	4751.00-00
Ratio	4.33 : 1	2.5 : 1	1 : 1
Self-locking	yes	no	no
Input	hex 6 mm	hex 6 mm	hex 6 mm
Output	hex 6 mm	hex 6 mm	hex 6 mm
Max. output torque	2 Nm	2 Nm	2 Nm
Max. input torque	3 Nm	3 Nm	4 Nm

Model	4752.00-00	4754.00-00	4755.00-00
Ratio	3.33 : 1	6 : 1	13 : 1
Self-locking	yes	yes	yes
Input	hex 6 mm	hex 6 mm	hex 6 mm
Output	hex 6 mm	hex 6 mm	hex 6 mm
Max. output torque	2,5 Nm	3 Nm	3 Nm
Max. input torque	3 Nm	2 Nm	1 Nm