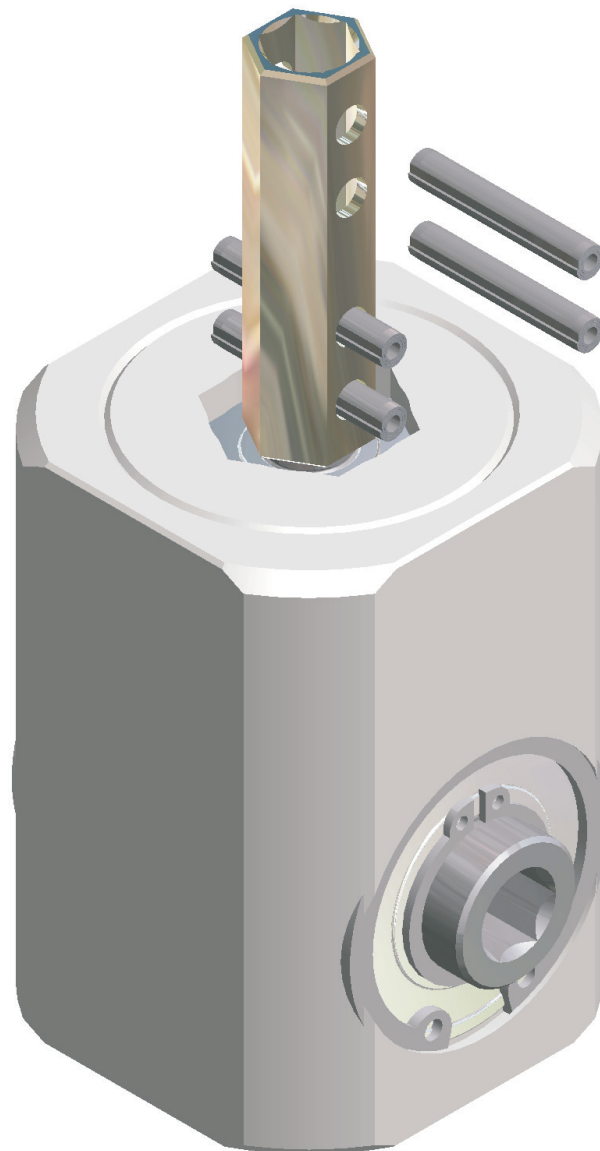


Bevel gear



sun protection

4808



Description:

Compact gear for big umbrellas, engineering.

Special features:

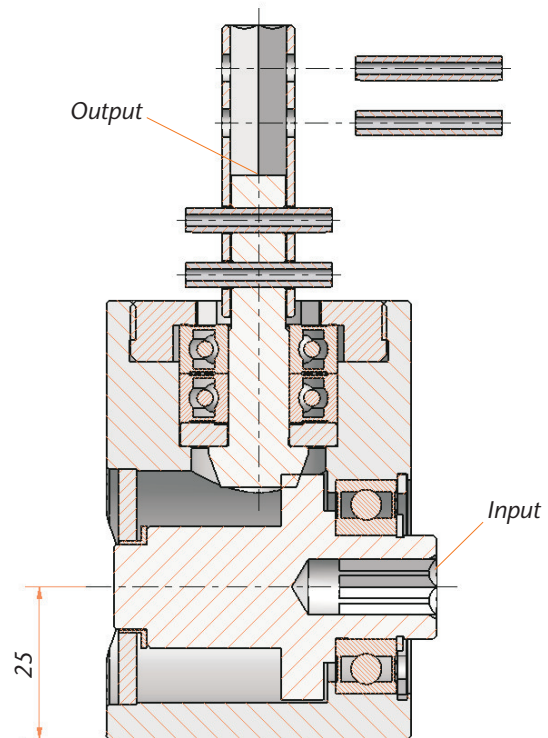
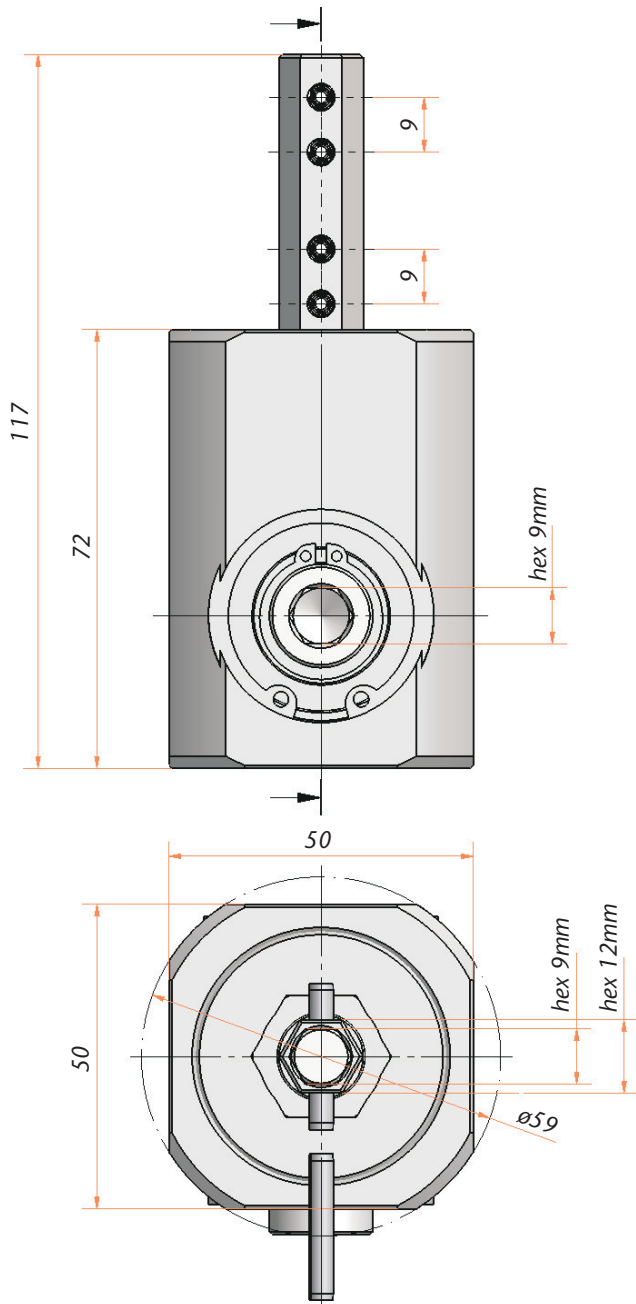
A special tothing ensures a smooth running of the gear.

- Ratio 1 : 4
- Housing made of aluminium
- Case-hardened cog wheels

Customer specific:

Input and output can be modified to a customer specific appliance.

Bevel gear 4808



Technical data

Model	4808
Ratio	1 : 4
Input	hex 9 mm
Output	hex 9 mm
Number of cog wheels	2
Housing material	aluminium
Max. output torque	1,25 Nm

