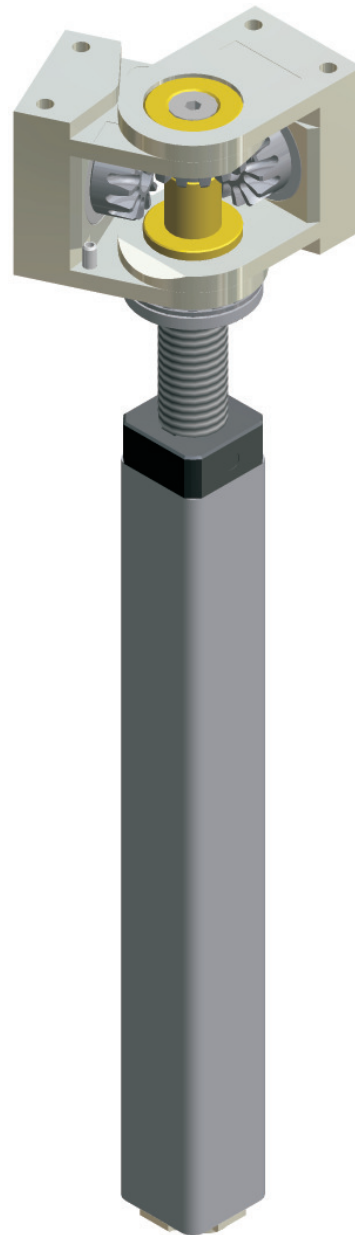


Bevel gear



stepless
height adjustment

4850



Description:

Gear for stepless height adjustment of furniture and for machine construction.

Special features:

Gear not limited to right angle application. Angle is user adjustable through 216°.

- Housing made of die-cast zinc
- Case hardened cog wheels

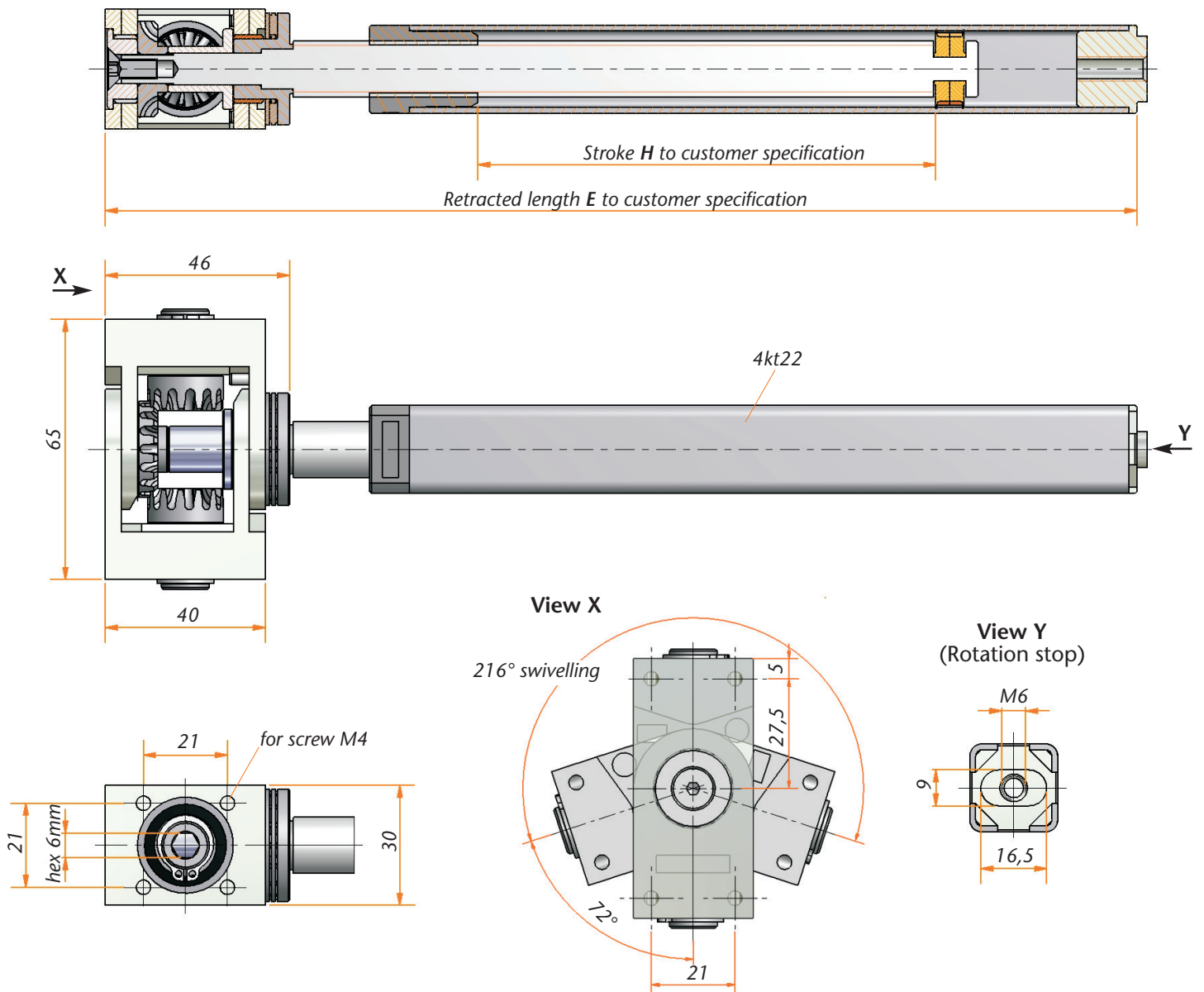
Customer specific:

The gear can be supplied in combination with various spindle lengths and pitches.

Caution:

Please take into account that depending on the spindle pitch, the system could back drive.

Bevel gear 4850



Technical Data

Model	4850
Ratio	1 : 1
Input	hex 6 mm
Stroke max.	retracted height -99 mm
Max. lifting force	1200 at Tr14x3 N
Max. input torque	6 Nm