

Crank - handles



accessories

5108

5159

Description:

Crank-handles made by Ketterer:

- Wire-flexured cranks in several measurements
- Crank grips are made of synthetic material.

Made of following materials:

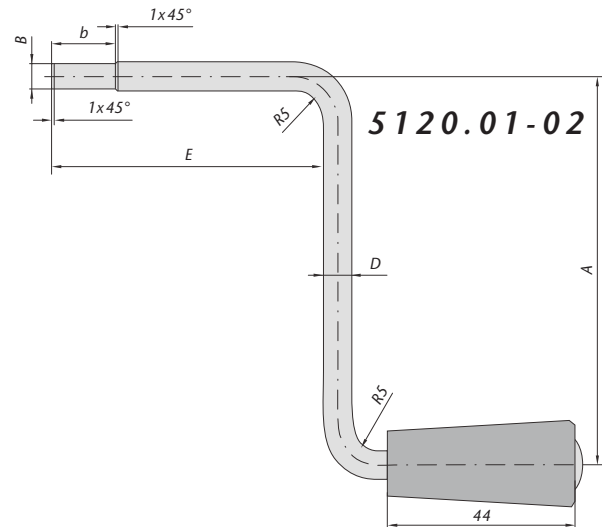
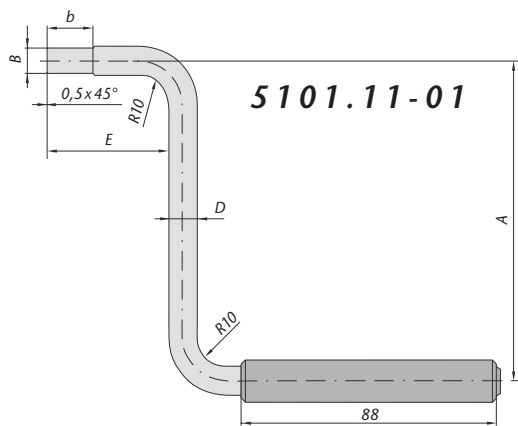
- Steel (galvanized)
- Stainless steel

By use of a production method which does not depend on specific tools or designs, customer specific solutions can be produced rapidly at a competitive price.

Customer specific:

We produce customer specific crank-handles based on your engineering drawings to meet your requirements.

Crank-handles 5108 and 5159



Crank-handles with grip 5101.11-01

Order-No.	A	B	D	E	b	Material
5108.00-00	100	hex 9mm	Ø 10	62	15	stainless steel
5102.00-00	110	hex 9mm	Ø 10	42	15	stainless steel
5104.00-00	110	hex 9mm	Ø 10	60	15	stainless steel
5109.00-00	110	inside hex 6mm	Ø 10	60	12	stainless steel
5102.00-00	110	hex 9mm	Ø 10	42	16	stainless steel
5104.00-00	110	hex 9mm	Ø 10	105	15	stainless steel
5108.00-00	100	hex 9mm	Ø 10	105	15	stainless steel

Crank-handles with grip 5120.01-02

Order-No.	A	B	D	E	b	Material
5147.00-00	65	hex 5mm	Ø 7	53	15	stainless steel
5132.00-00	90	hex 5mm	Ø 7	110	15	stainless steel
5153.00-00	90	hex 5mm	Ø 7	63	15	stainless steel
5156.00-13	90	hex 6mm	Ø 7	33	20	PA (black)
5187.00-0003	110	inside hex 6mm	Ø 7	325	300	
5183.00-0000	90	hex 6mm	Ø 7	200	20	stainless steel
5156.00-0011	115	inside hex 6mm	Ø 7/Ø 12	503	480	
5156.00-10	90	hex 6mm	Ø 7	33	20	steel
5156.00-00	90	hex 6mm	Ø 7	33	20	stainless steel
5159.00-00	90	hex 6mm	Ø 7	60	20	stainless steel
5157.00-00	90	hex 6mm	Ø 7	85	20	stainless steel
5163.00-00	90	hex 6mm	Ø 7	116,5	20	stainless steel
5165.00-00	105	hex 6mm	Ø 7	85,5	12	stainless steel
5158.00-00	150	hex 6mm	Ø 7	33	20	stainless steel
5133.00-00	90	hex 7mm	Ø 8	62	15	stainless steel
5156.00-00	90	hex 6mm	Ø 7	33	20	stainless steel

Crank-handles oblique

5121.00-00 (angle = 10°)	134	hex 6mm	hex 6mm	64	64	steel
-----------------------------	-----	---------	---------	----	----	-------