



Crank-handle

accessories

5 1 8 6

Description:

Crank-handle grip and crank extension are made of glass-fibre reinforced synthetic material.

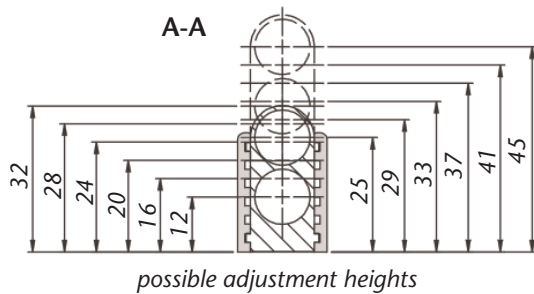
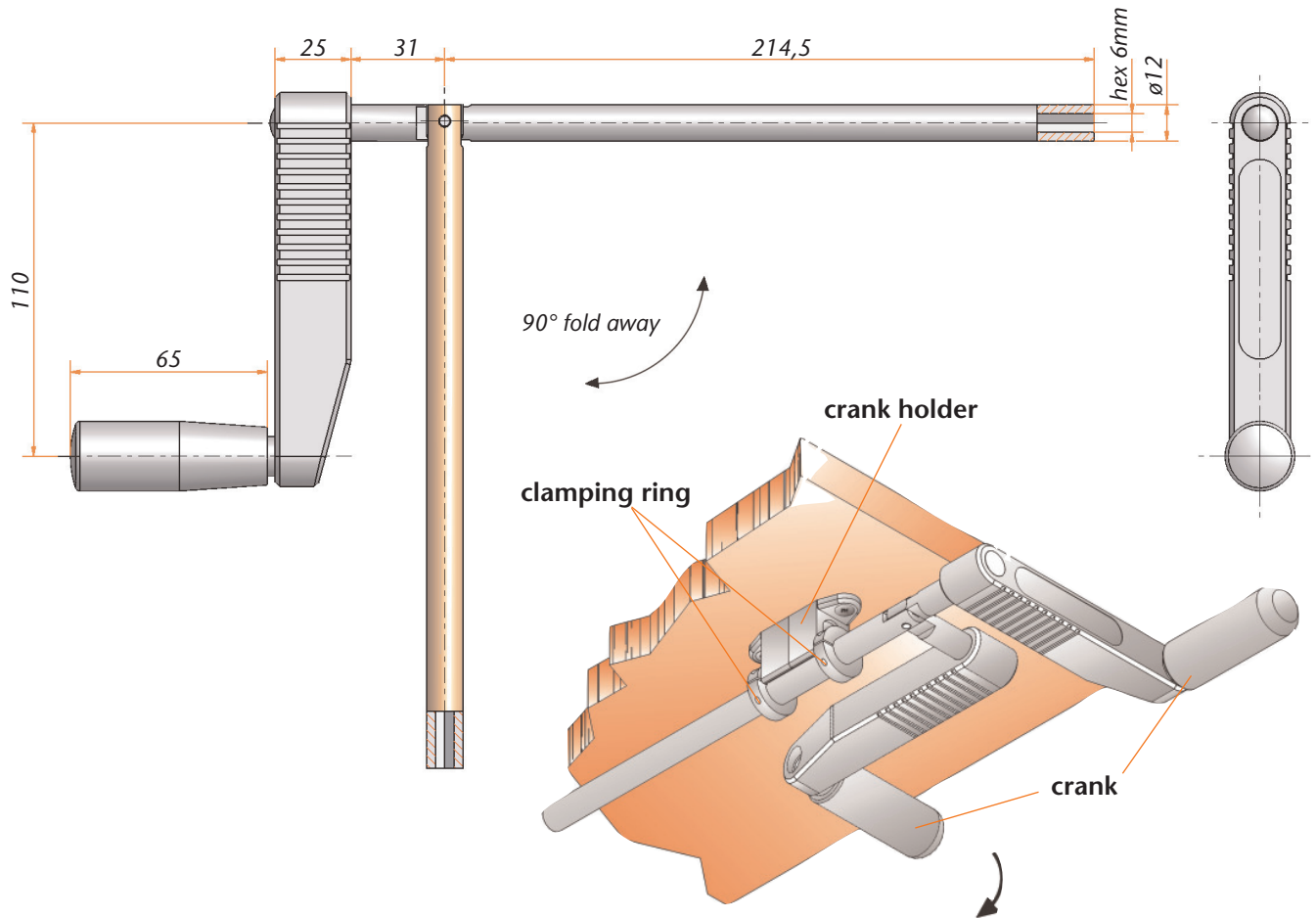
Special features:

The crank-handle 5186 allows a fine adjustment and can be folded by 90°. Furthermore it has an ergonomic shape and modern design.

Customer specific:

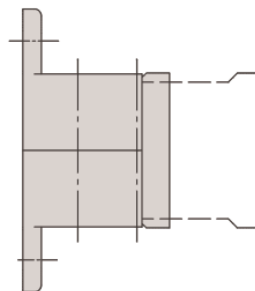
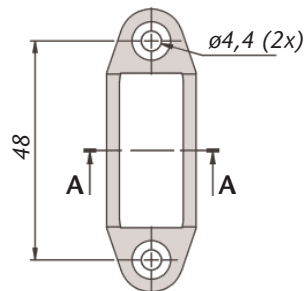
On request the type and the length of the hexagonal bolt as well as the colour of the crank body can be produced to customer specifications. Addition of company logo possible.

Crank-handle 5186



Crank holder, made of black synthetic material, for a 12 mm diameter crank shaft. The holder can be adjusted from a height of 12 mm up to 45 mm.

crank holder
order number 5186.19-0000



Clamping ring, made of black synthetic material, for shaft with diameter 12 mm. You need 2 clamping rings to secure the crank shaft on the crank holder. The fixing nut is enclosed.

Technical Data

Model	5186
Crank extension in mm	110
Type of hexagonal bolt	inside hex 6
Dynamic torque in Nm	2

clamping ring
order number
5186.10-0001

