

Controls and desk switches



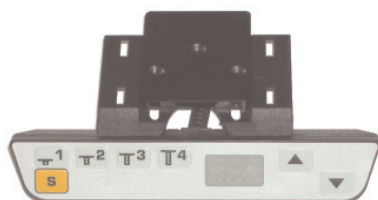
Control box LogicS



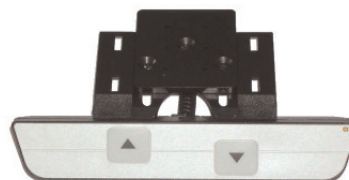
Control box LogicB

accessories

3 1 4 3
4 6 3 0



HSU-MDF-4M2-LDS



HSU-OD-2-LDS



HSX-OD-2-LD



HSR-OD-2-LD



HSE-MDF-2-LD



IRR-DSK-Set

Description:

A wide variety of accessories are available for our motorized program. These comprise:

- various control boxes
- manual switches
- appropriate cables

Your supplement to the Ketterer lifting and drive systems.

Customer specific:

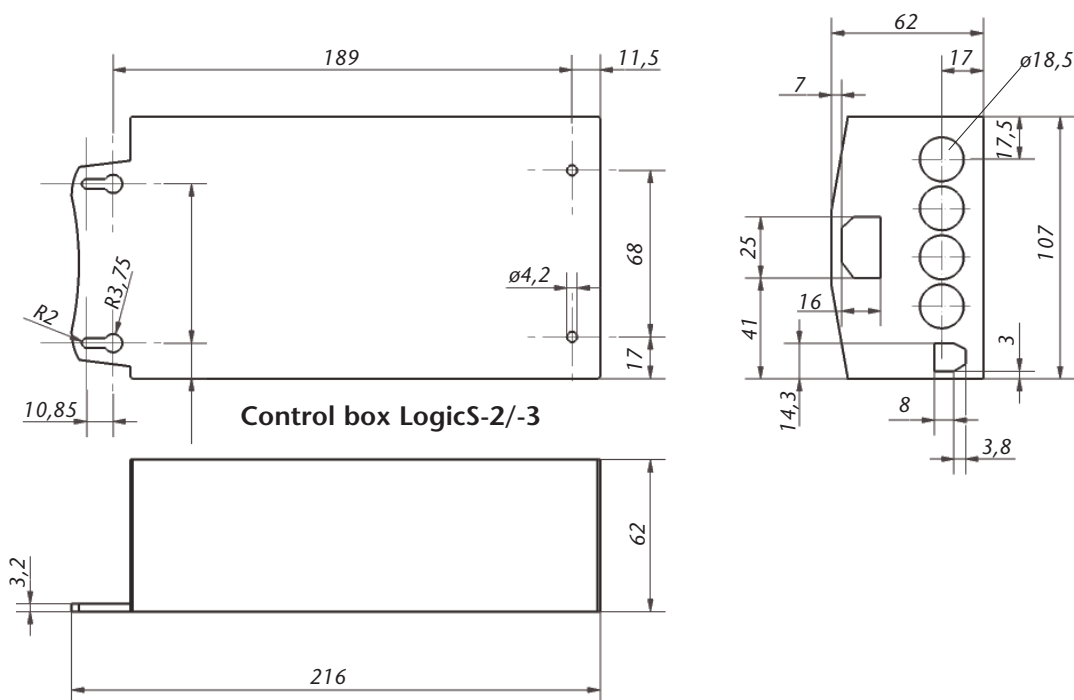
User programmable and user specific systems for stepless adjustment.

Special features:

- user friendly thanks to very simple operation
- can be used in conjunction with all Ketterer lifting and gear systems
- stroke and ratio can be programmed individually using desk switches
- simple mounting of desk switches

When used in conjunction with lifting and gear systems from Ketterer, this is the way to achieve an ergonomic workplace.

Controls and desk switches



Technical Data

3143.49-14/ LogicS-2-KTS-240VA	Control	(AC 230 V/50 Hz), for one or two motors parallel
3143.49-25/ LogicS-2-KTS-240VA-US	Control USA	(AC 110 V/60 Hz), for one or two motors parallel
4630.49-23/ LogicS-2-KTT-240VA	Synchronous control	(AC 230 V/50 Hz), for two motor drives in synchronous
4630.49-24/ LogicS-2-KTT-240VA-US	Synchronous control USA	(AC 110V/60 Hz), for two motor drives in synchronous
4630.49-26/ LogicS-3-KTT-340VA	Synchronous control	(AC 230 V/50 Hz), for three motor drives in synchronous
4630.49-28/ LogicB-4-KTT-360VA	Synchronous control	(AC 230V/50 Hz), for four motor drives in synchronous
3143.49-08/ CBX-1-2-KTS-240VA	Simple control box	(AC 230 V/50 Hz), for one or two motor drives
3143.49-09/ CBX-1-2-KTS-240VA-US	Simple control box USA	(AC 110V/60 Hz), for one or two motor drives

3143.47-05/ HSU-MDF-4M2-LD <i>Model black</i>	Handswitch with display four memory positions, height and stroke using two up-down buttons, user programmable
3143.47-25/ HSU-MDF-4M2-LDS <i>Model silver</i>	Handswitch with display four memory positions, height and stroke using two up-down buttons, user programmable
3143.47-04/ HSU-OD-2-LD	Simple up-down using two buttons
3143.47-02/ HSX-OD-2-LD	Simple up-down using two buttons, small version
3143.47-03/ IRR-DSK-Set-PRO	Remote control consisting of IR transmitter (incl. battery and holder), R receiver and operating instructions
3143.47-21/ HSE-MDF-2-LD	Built- in handswitch up-down with display
3143.47-20/ HSE-OD-2-LD	Filmhandset, up-down

3148.53-14/2,0 m
3148.53-15/1,0 m

Cables are available in the following lengths: 1,0m/2,0m

