

## Hand control and motor cables

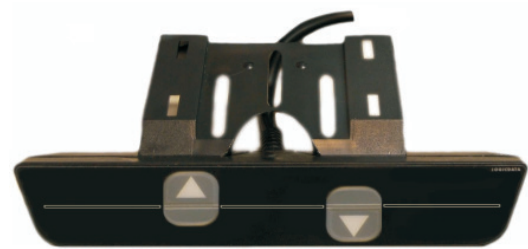


IRR-DSK-SET-LIGHT

accessories



HSU-MDF-4M2-LD



HSU-OD-2-LD



HSX-OD-2-LD



HSE-MDF-2-LD



HSM-OD-2-LD

### Description:

The range of accessories for control consists of various manual switches and cables different motor cables suitable for the respective Ketterer drive solutions.

### Special features:

Custom and application-specific activation and control of your continuous adjustment.

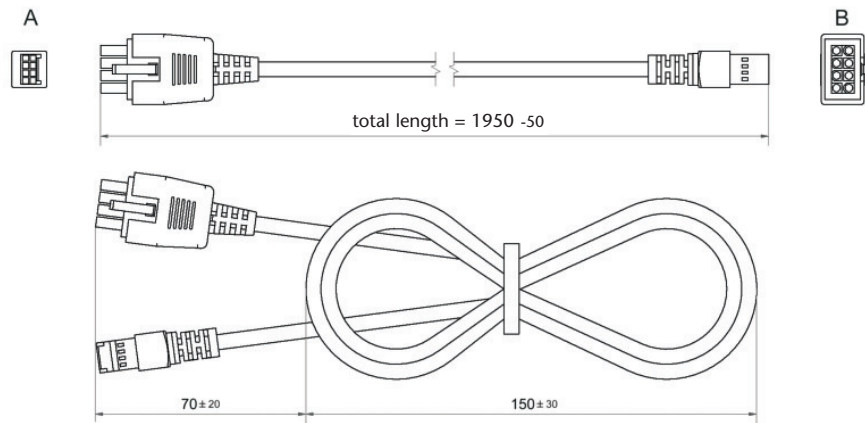
### Customer specific:

The manual switches are characterized by a clean design and ease of use. You can motor drive with all Ketterer be used.

# Hand control and motor cables

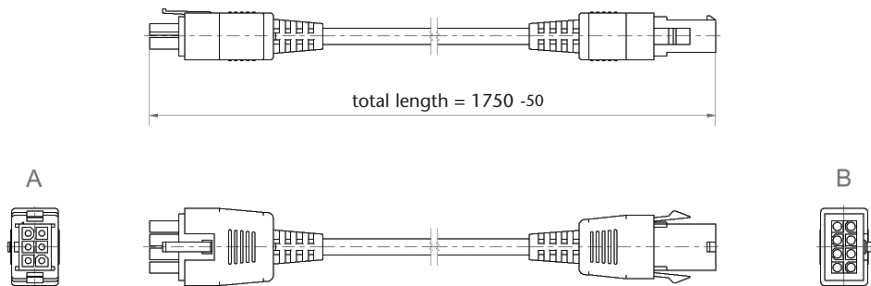
Motor cable 4138.53-01/ 1 m \*)  
4138.53-02/ 2 m \*)

AMP - Serie HE 14 plug allocation			AMP - Serie HE 14 plug allocation		
Pin-No.	signal	colour	Pin-No.	signal	colour
6,8	motor blue	black, blue	4	motor blue	black, blue
5,7	motor red	brown, orange	8	motor red	brown, orange
2	+5VDC, reverb	red	2	+5VDC, reverb	red
4	GND, reverb	grey	3,7	reverb-signal 2	grey
3	reverb-signal 2	green	5	GND, reverb	green
1	reverb-signal 1	violet	1	reverb-signal 1	violet



Motor cable 3122.53-02/ 1,75 m \*\*)

AMP - 172160 plug allocation			AMP - 172160 plug allocation		
Pin-No.	signal	colour	Pin-No.	signal	colour
1	motor blue	black, blue	4	motor blue	black, blue
2	motor red	brown, orange	8	motor red	brown, orange
3	+5VDC, reverb	red	2	+5VDC, reverb	red
4	reverb-signal 2	green	5	reverb-signal 2	green
5	GND, reverb	gray	3,7	GND, reverb	gray
6	reverb-signal 1	violet	1	reverb-signal 1	violet



further details under <http://www.logicdata.at>

## Technical Data

Motor cable	Description
4138.53-01 / length 1 m 4138.53-02 / length 2 m	for use with drives 3143, 3146, 3180, 4114, 4141, 4142, 4773, 4774, 4640, 4630, 4701
3122.53-02 / length 1,75 m	for use with drives 3120, 3121, 3130, 3131, 3122, 3133
Hand switch	Description
3143.47-05/ HSU-MDF-4M2-LD Black finish	Switch with display and four memory positions, Hub heights and two up-down buttons, free programmable
3143.47-04/ HSU-OD-2-LD	Simple hand switch up or down more than 2 keys
3143.47-02/ HSX-OD-2-LD	Simple hand switch up or down more than 2 keys, small version
3143.47-30/ HSM-OD-2-LD	Simple hand control up-down
3143.47-08/ IRR-DSK-Set-Light	IR remote control transmitter consists of (including battery and holder), R-receiver and manual
3143.47-20/ HSE-MDF-2-LD	Installation manual switch, with up-down display