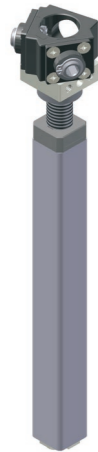


Bevel gear with spindle unit 3014



Description

Universally applicable lifting unit with bevel gear head for linear drive solutions. Possible applications are height adjustable tables, various adjustment functions for furniture items as well as all manner of linear adjustment in residential and office fields. Simple screw fastenings enable a simple system structure and an uncomplicated assembly.

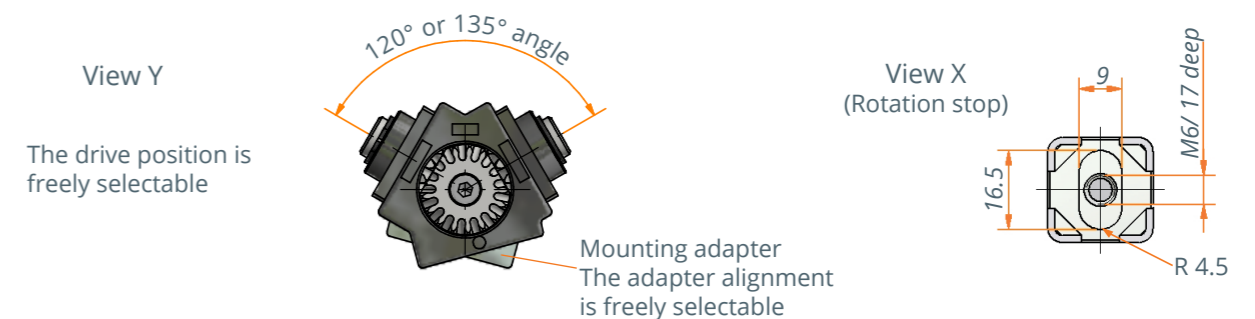
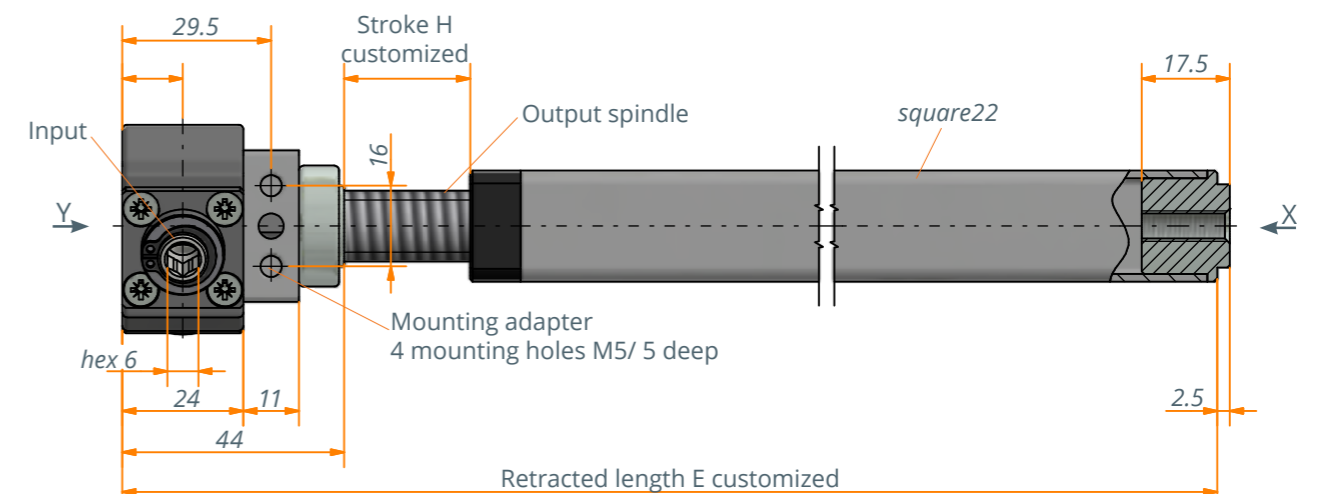
Special features

- Maintenance-free
- Deflection angle: 120° or 135°, $i = 1:1$
- Ratio in direction of spindle 1.3:1
- Drive torque on gear head for application with several spindle units: max. 3 Nm
- Hardened steel bevel wheels with robust, reinforced toothing
- Designed for the manual operation
- Upon request other spindle types can be supplied

Technical data

Model	3014
Ratio in direction of spindle	1.3:1
Ratio in direction of deflection	1:1
Input	hex 6 mm
Number of bevel wheels	3
Type of spindle	TR14x3 RH
Travel path	2.3 mm/rotation
Max. stroke	retracted length -99 mm
Max. lifting force	1200 N
Required drive torque	1.7 Nm
Max. drive torque gear head for several spindle units*	3 Nm

* See technical notes



Technical notes

- The lifting units must be protected against lateral forces by a separate guide system.
- Attention: The spindle systems with a spindle pitch ≥ 3 mm may not be self-locking. Check the self-locking effect in the application.
- The lifting unit is only pressure loadable.
- If several lifting units are being used simultaneously in the application, note the max. drive torque on gear head of 3 Nm!
- Incorrect dimensioning of the guide system can damage the lifting unit: Please note the design and safety instructions for spindle drives. You will find them at: <https://www.ketterer.de/en/downloads/instructions>

Application example

