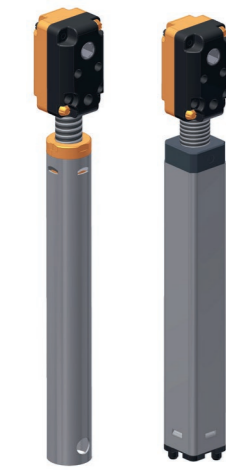


Bevel gear with spindle unit 3034



Description

Universally applicable lifting unit with bevel gear head for linear drive solutions. Possible applications are height adjustable tables, various adjustment functions for furniture items as well as all manner of linear adjustment in residential, mobile home or industrial fields.

A simple screw fastening and a hexagonal bolt enable a simple system structure and an uncomplicated assembly.

Special features

- Maintenance-free
- Very slim size 25.8 mm x 25.8 mm
- Drive torque on gear head for application with several spindle units: max. 3.5 Nm
- Housing made of glass fiber reinforced plastic
- Hardened steel bevel wheels with robust, reinforced toothing
- Support tube round \varnothing 20 mm or square 22 mm
- Suitable for manual use as well as for the electromotive drive

Variant key

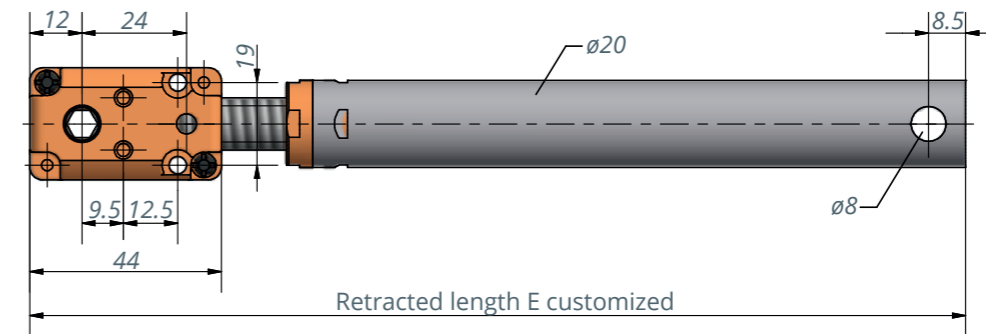
- 3034.00-V01: spindle SG12x16P4 RH with a round support tube
- 3034.00-V02: spindle SG12x16P4 RH with a square support tube
- 3034.00-V03: spindle Tr14x3 RH with a square support tube
- 3034.00-V04: spindle SG14x16P4 RH with a square support tube

Technical data

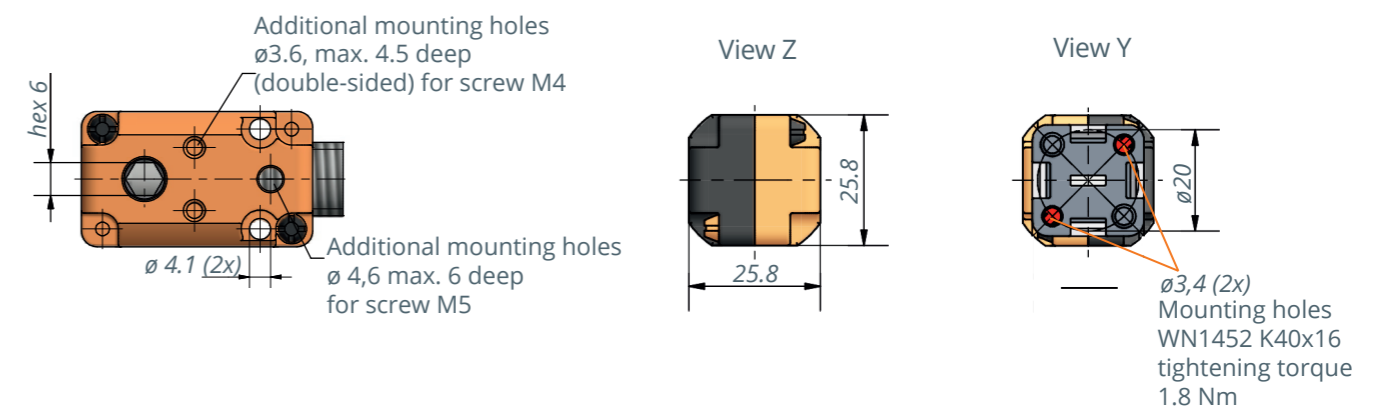
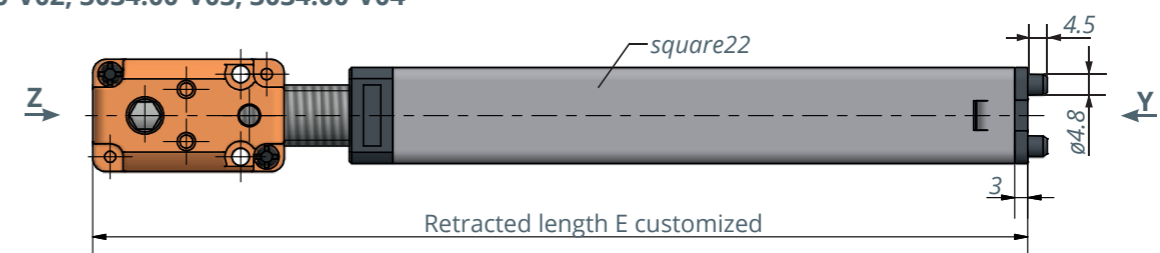
Model	3034.00-V01EXXXHXXX	3034.00-V02EXXXHXXX	3034.00-V03EXXXHXXX	3034.00-V04EXXXHXXX
Ratio	1:1	1:1	1:1	1:1
Input	hex 6 mm	hex 6 mm	hex 6 mm	hex 6 mm
Type of spindle	SG12x16P4 RH	SG12x16P4 RH	TR14x3 RH	SG14x16P4 RH
Travel path	16 mm/rotation	16 mm/rotation	3 mm/rotation	16 mm/rotation
Traverse speed *	32 mm/s	32 mm/s	6 mm/s	32 mm/s
Support tube	round \varnothing 20 mm	square 22 mm	square 22 mm	square 22 mm
Max. stroke	retracted length 90 mm	retracted length 100 mm	retracted length 100 mm	retracted length 100 mm
Max. lifting force	700 N	700 N	700 N	700 N
Required drive torque	3.2 Nm	3.2 Nm	1 Nm	3 Nm

* In combination with LogicData control box Compact-3

3034.00-V01



3034.00-V02, 3034.00-V03, 3034.00-V04



Technical notes

- The lifting units must be protected against lateral forces by a separate guide system.
- Attention: The spindle systems with a spindle pitch \geq 3mm may not be self-locking. Check the self-locking effect in the application.
- The lifting unit is only pressure loadable.
- Incorrect dimensioning of the guide system can damage the lifting unit: Please note the design and safety instructions for spindle drives. You will find them at: <https://www.ketterer.de/en/downloads/instructions>
- Installation instructions: use at least 2 M4 screws when fastening. Using bore holes \varnothing 4.1 mm (2x) when doing so, preferable the lifting unit should be supported above on the top side. Connection by means of additional mounting holes \varnothing 3.6 mm for M4 and \varnothing 4.6 for M5 requires top side support.

Application example

