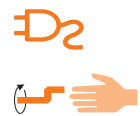
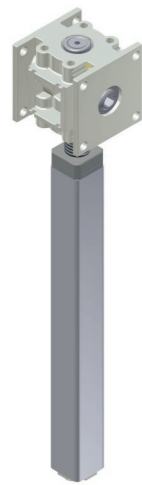


# Bevel gear with spindle unit 3042/ 3043



## Description

Universally applicable lifting unit with bevel gear head for linear drive solutions. Possible applications are height adjustable tables, various adjustment functions for furniture items as well as all manner of linear adjustment in residential, mobile home or industrial fields. A simple screw fastening and a hexagonal bolt enable a simple system structure and an uncomplicated assembly.

## Special features

- Maintenance-free
- Housing made of die-cast zinc
- Hardened steel bevel wheels with robust, reinforced toothing
- Ratio 1:1
- Drive torque on gear head for application with several spindle units: max. 10 Nm
- Perfect suitable for electromotive drives
- More flexibility through variable number of bevel gears for deflection of movement
- Available in various spindle lengths and pitches

## Variant key

3042: variants with right rotating spindles

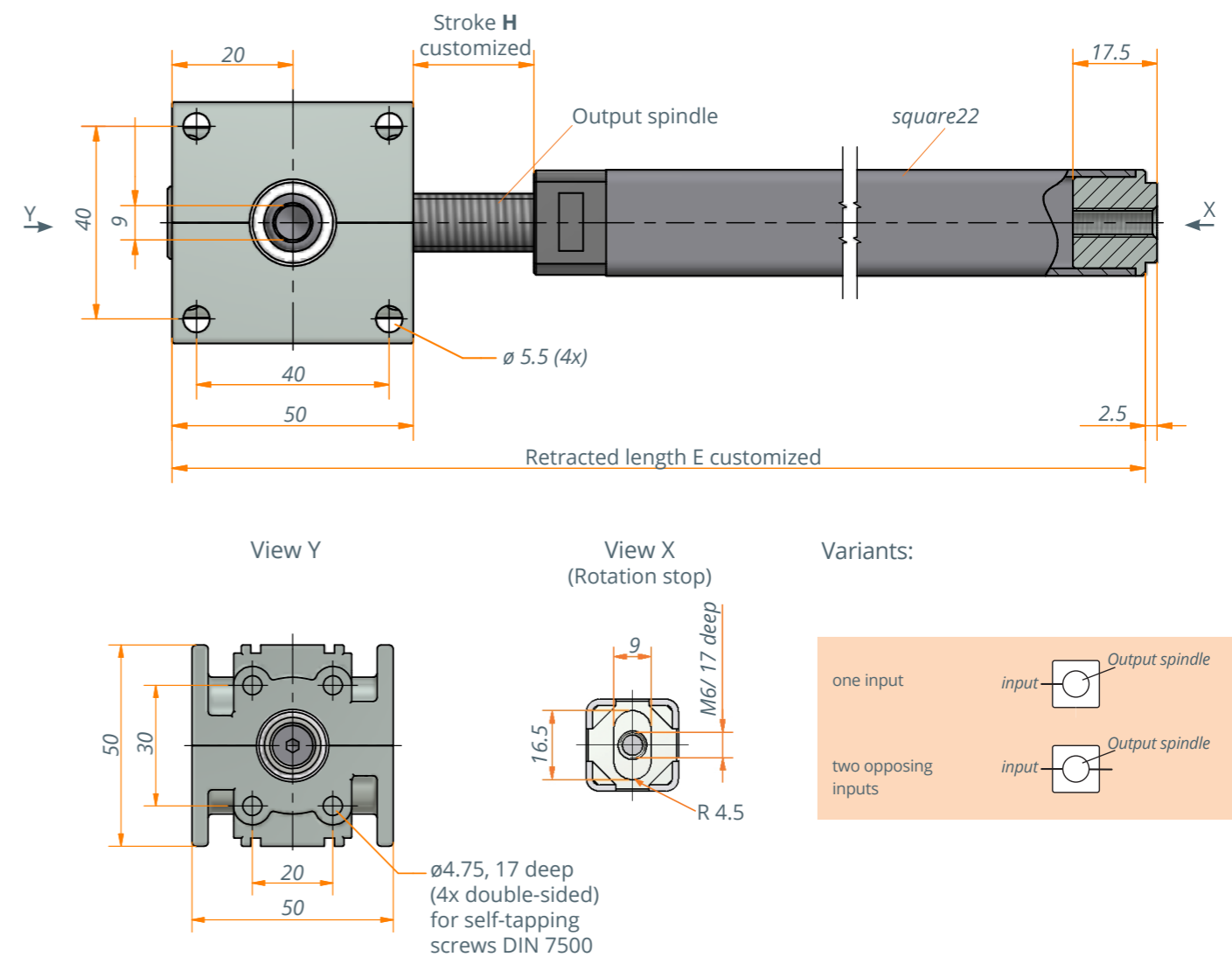
3043: variants with left rotating spindles

## Technical data

Model	3042	3043
<b>Ratio</b>	1:1	1:1
<b>Input</b>	hex 7 mm	hex 7 mm
<b>Number of bevel wheels</b>	max. 3	max. 3
<b>Type of spindle</b>	SG12x12P4 RH clockwise	SG12x12P4 RH counter-clockwise
<b>Travel path</b>	12 mm/rotation	12 mm/rotation
<b>Traverse speed*</b>	24 mm/s	24 mm/s
<b>Max. stroke</b>	retracted length -105 mm	retracted length -105mm
<b>Max. lifting force</b>	1200 N	1200 N
<b>Required drive torque</b>	2.6 Nm	2.6 Nm
<b>Max. drive torque gear ahead for several spindle units**</b>	10 Nm	10 Nm

\* In combination with motor drives 3143.00-200X and LogicData control box Compact-3

\*\* See technical notes



## Technical notes

- The lifting units must be protected against lateral forces by a separate guide system.
- Attention: The spindle systems with a spindle pitch  $\geq 3$ mm may not be self-locking. Check the self-locking effect in the application.
- The lifting unit is only pressure loadable.
- If several lifting units are being used simultaneously in the application, note the max. drive torque on gear head of 10 Nm!
- Incorrect dimensioning of the guide system can damage the lifting unit: Please note the design and safety instructions for spindle drives. You will find them at: <https://www.ketterer.de/en/downloads/instructions>

## Application example

