

Brake unit 3052.09

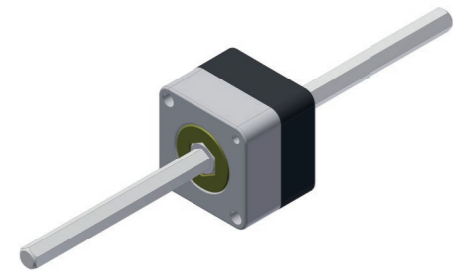
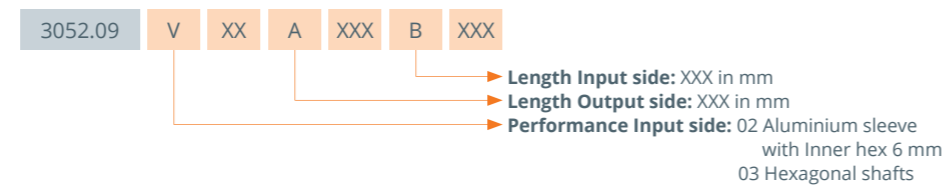
Description

Very slim, compact brake unit for manually adjustable applications. Can be used flexibly, in combination with lifting gears.

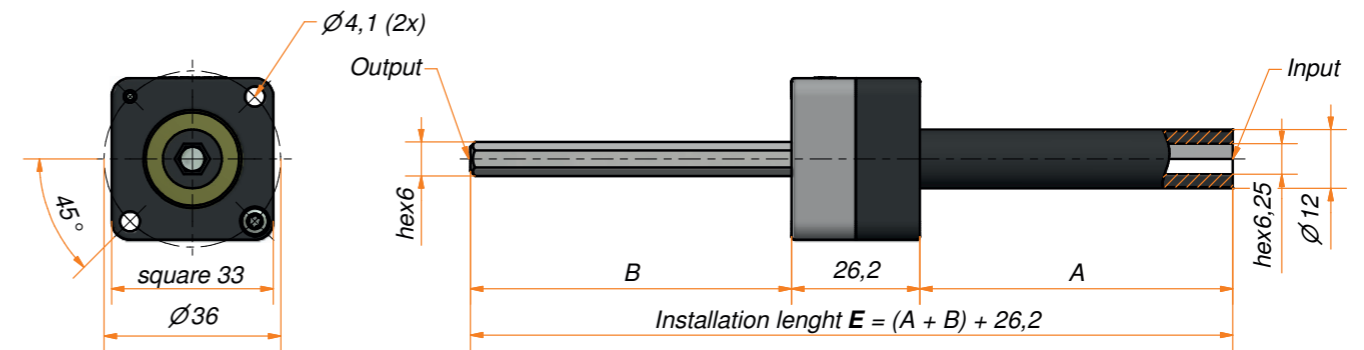
Special features

- Synthetic gear housing
- Simple mounting
- Input and output can be supplied in various lengths, based on customer requirements

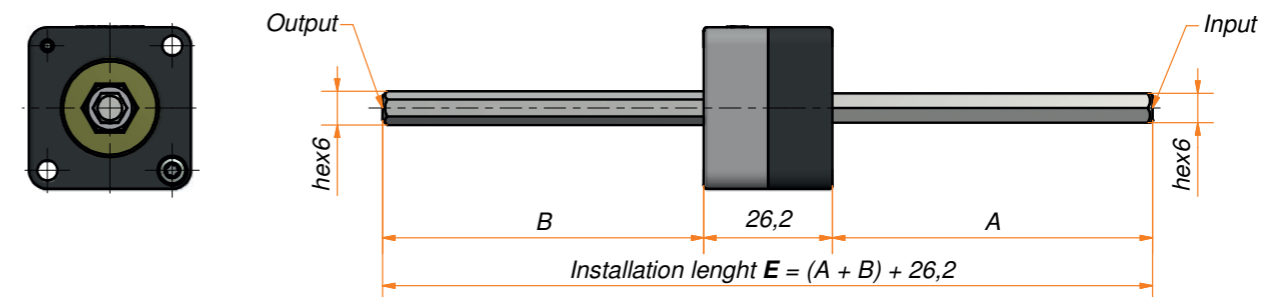
Variant key



3052.09-V02AXXXBXXX



3052.09-V03AXXXBXXX



Technical data

Model	3052.09-V02AXXXBXXX	3052.09-V03AXXXBXXX
Input	Inner hex 6 mm Length A customer specific	Hex 6 mm Length A customer specific
Output	Hex 6 mm Length B customer specific	Hex 6 mm Length B customer specific
Max. holding torque	10 Nm	10 Nm
Max. output torque	4 Nm	4 Nm
Application	Manual drives	Manual drives