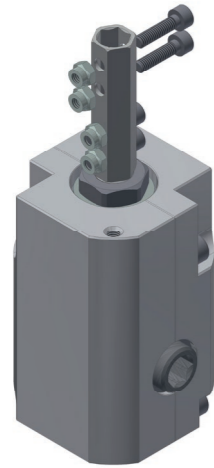


Bevel gear 3058



Description

Compact bevel gearbox for the deflection of a rotary movement at an angle of 90°. Ideally suited for the adjustment of large parasols. Special bevel gear toothing ensures smooth running of the gearbox. Drive and output can be modified for custom applications. The gearbox can be combined with any spindle.

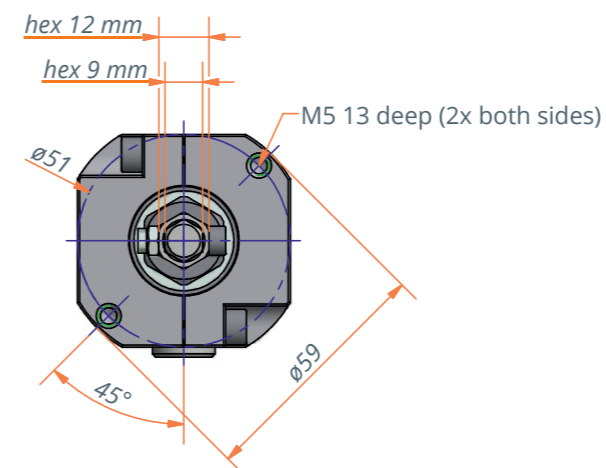
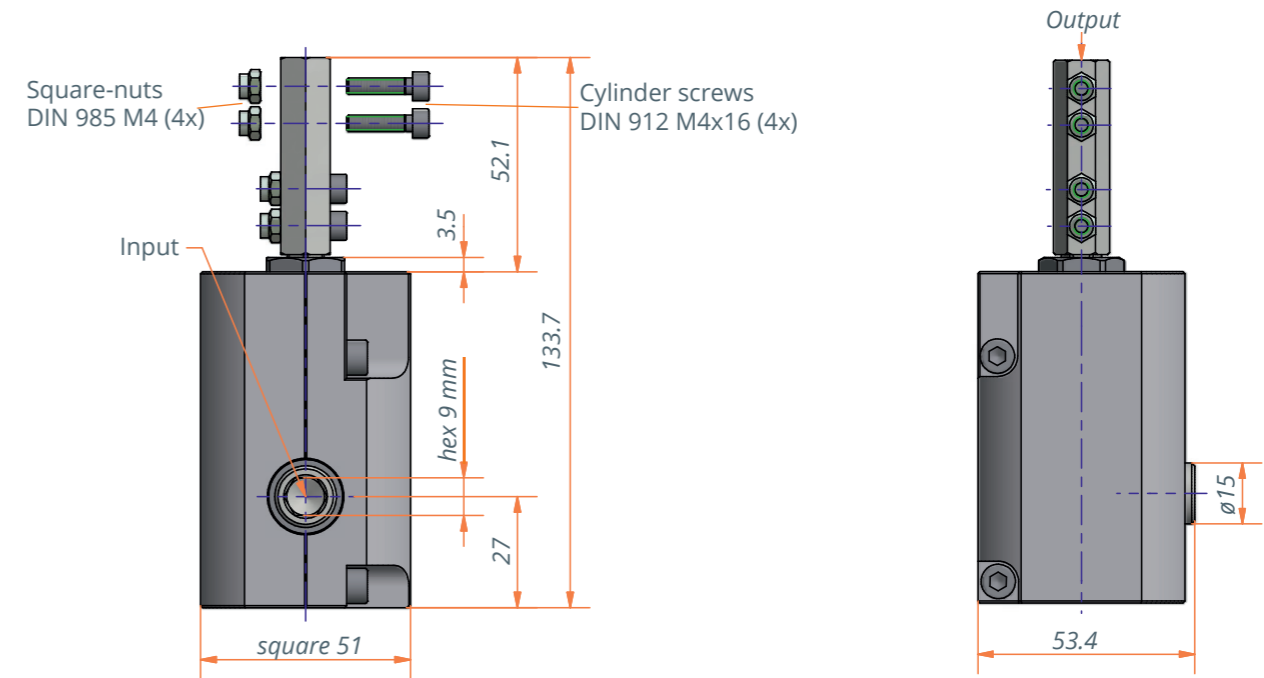
Special features

- Optimized corrosion properties
- Maintenance-free
- Case-hardened bevel wheels with optimized corrosion protection
- Housing made of zinc die-casting
- Ratio 1:4
- Designed for the manual operation

Technical data

Model	3058.00-0005
Ratio	1:4
Input	hex 9 mm
Output	hex 9 mm
Number of bevel wheels	2
Housing material	Aluminium
Max. drive torque	10 Nm
Max. traction load static short term*	10,000 N
Max. pressure load static short term*	12,000 N

*Peak load, e.g. caused by gusts of wind



Technical notes

- Attention: Spindle is not in scope of delivery, can be produced to customer requirements
- Depending of the spindle pitch the self-locking of the system must be checked

Application example

