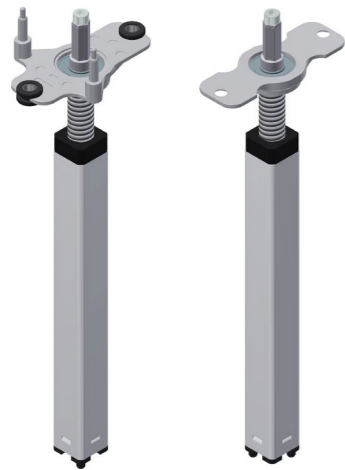


Spindle unit with motoradapter 3130.14



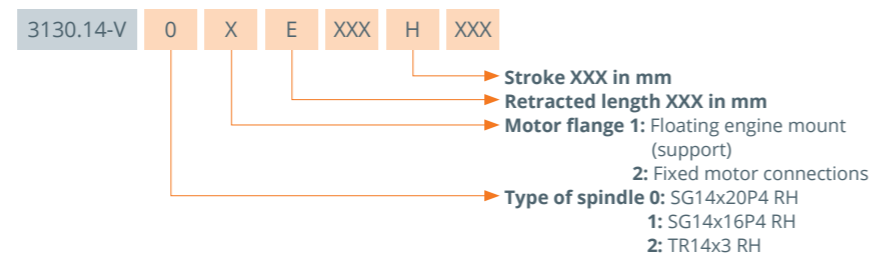
Description

Universally applicable lifting unit with bevel gear head for linear drive solutions. Possible applications are height adjustable tables, various adjustment functions for furniture items as well as all manner of linear adjustment in residential, mobile home or industrial fields. The lifting unit is available in different spindle pitches with customer specific spindle lengths and can be combined with most Ketterer drives.

Special features

- Ideal for the drives: 3312.00/ 3133.00 / 3133.48 /3130.00
- Available in customized spindle lengths
- Simple mounting
- Connection to the drive hex 9 mm

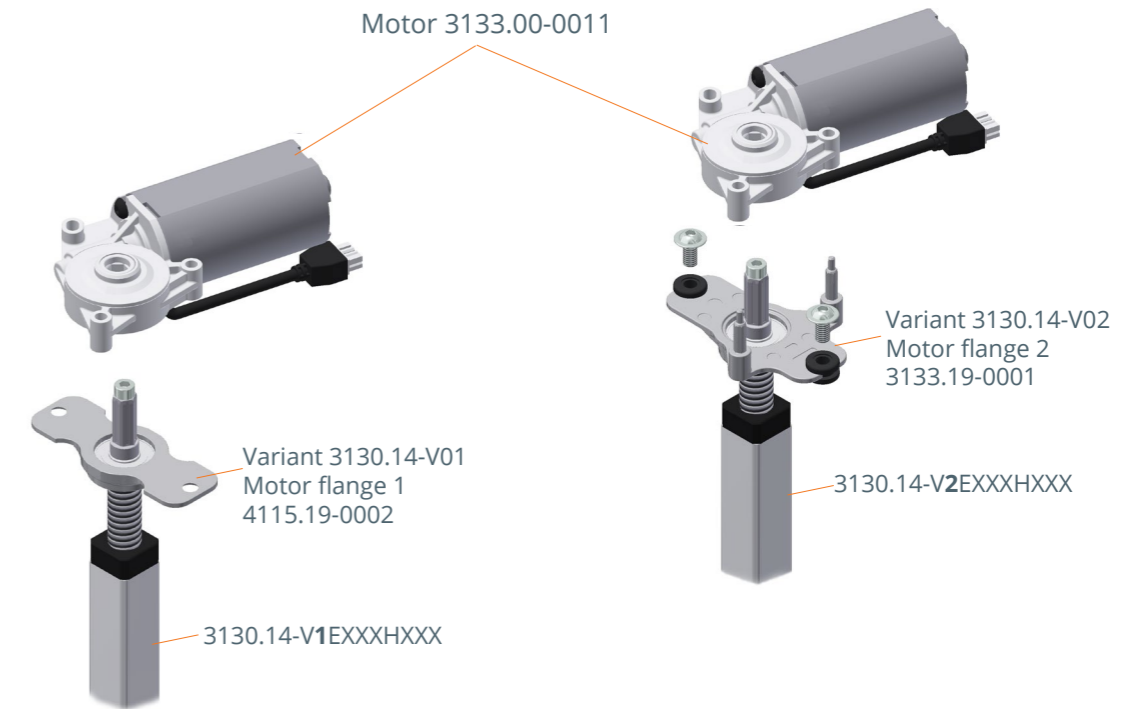
Variant key



Technical data

Model	3130.14-V01EXXXHXXX 3130.14-V02EXXXHXXX	3130.14-V11EXXXHXXX 3130.14-V12EXXXHXXX	3130.14-V21EXXXHXXX 3130.14-V22EXXXHXXX
Type of spindle	SG14x20P4 RH	SG14x16P4 RH	TR14x3 RH
Travel path	20 mm/rotation	16 mm/rotation	3 mm/rotation
Traverse speed*	40 mm/s*	32 mm/s*	6 mm/s*
Max. stroke	retracted length -64 mm	retracted length -64 mm	retracted length -64 mm
Max. lifting force	900 N	900 N**	900 N**
Required drive torque	3.5 Nm	3.4 Nm	1.1 Nm

* In combination with motor 3133 and LogicData control box Compact-3
** Max. lifting force is defined by maximum breaking point of the weakest components



Technical notes

- The lifting units must be protected against lateral forces by a separate guide system.
- Attention: The spindle systems with a spindle pitch ≥ 3 mm may not be self-locking. Check the self-locking effect in the application.
- The lifting unit is only pressure loadable.
- Incorrect dimensioning of the guide system can damage the lifting unit: Please note the design and safety instructions for spindle drives. You will find them at: <https://www.ketterer.de/en/downloads/instructions>

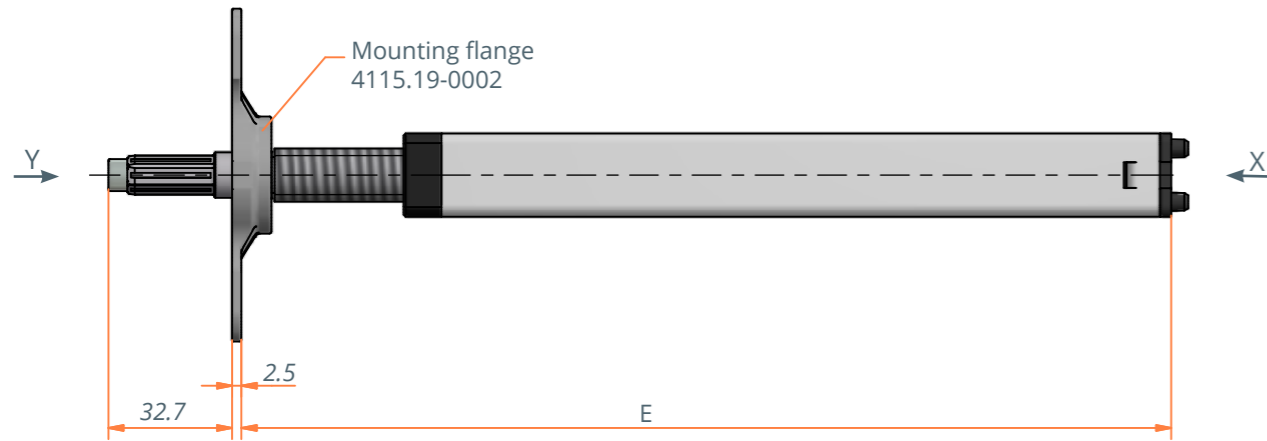
Dynamic self-locking limits* of current Ketterer drives with lifting unit 3130.14

	3130.14-V0X.. SG14x20P4	3130.14-V1X.. SG14x16P4	3130.14-V2X.. Tr14x3
with 3133.00	900 N	900 N	900 N
with 3133.48	700 N	900 N	900 N
with 3130.00 (with felt brake)	900 N	900 N	900 N (also a variant without a brake)
mit 3112.00-1XXX	-	400 N	900 N

* The limits are determined in combination with LogicData control box Compact-3

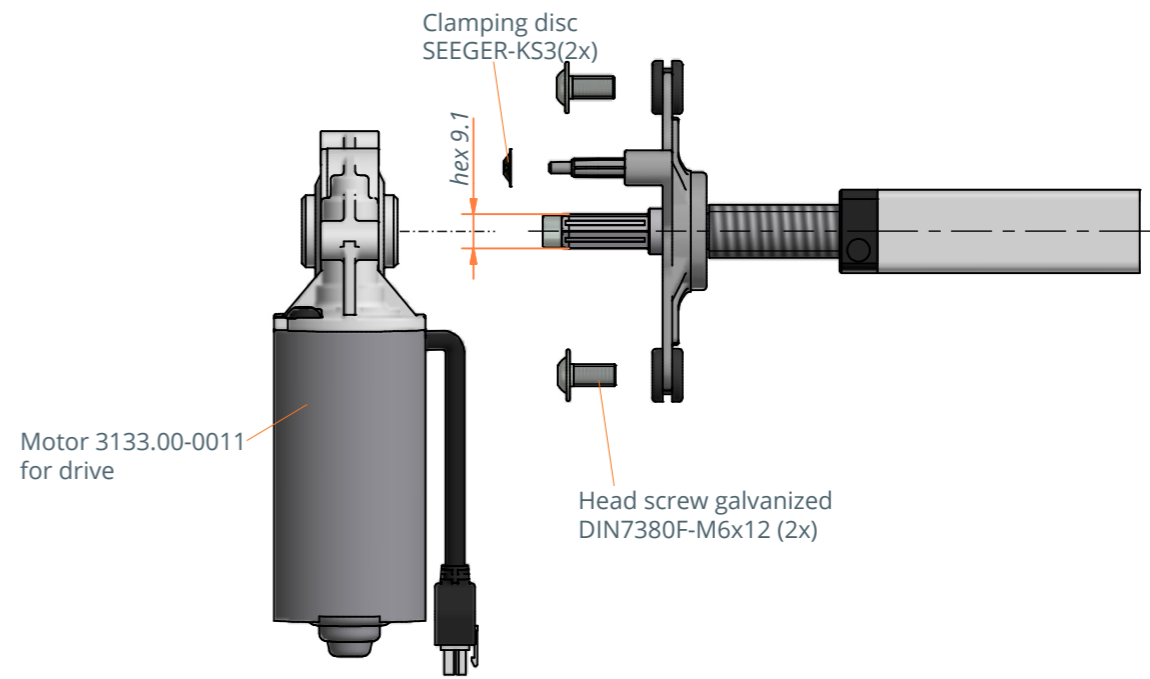
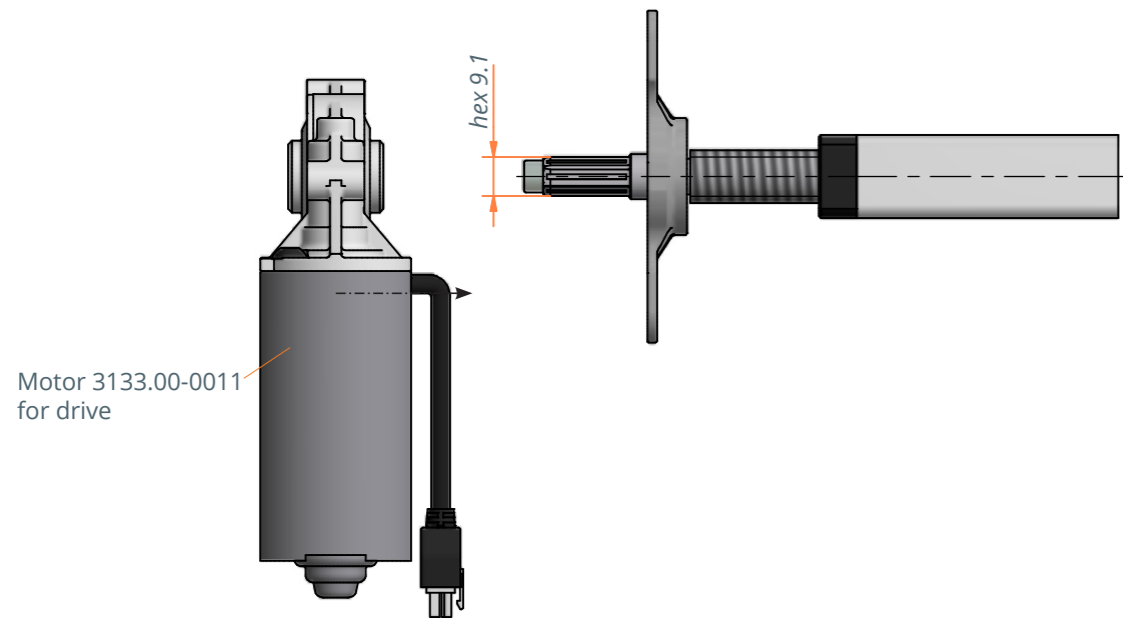
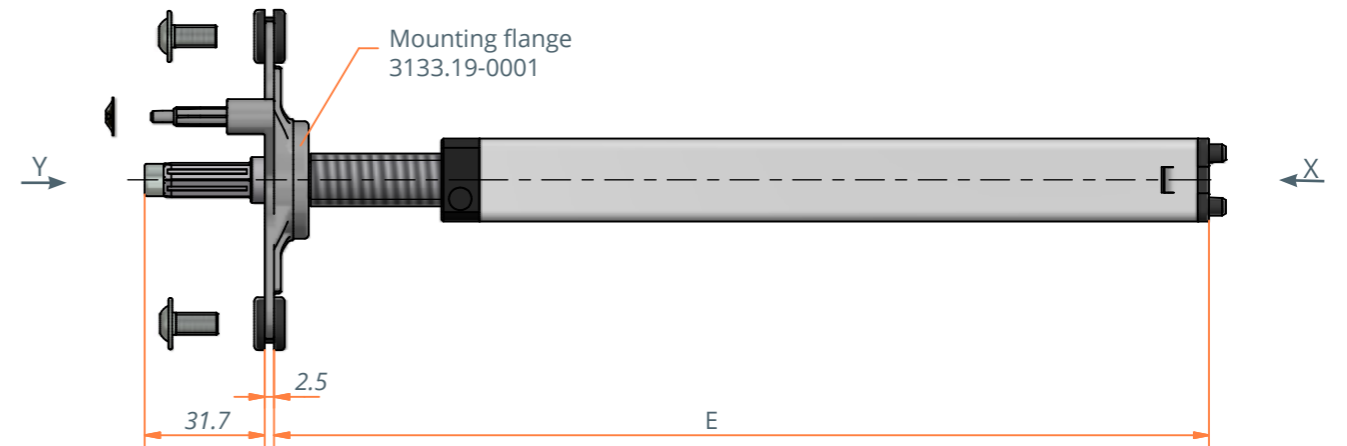
Variants

3130.14-V01EXXXHXXX
 3130.14-V11EXXXHXXX
 3130.14-V21EXXXHXXX

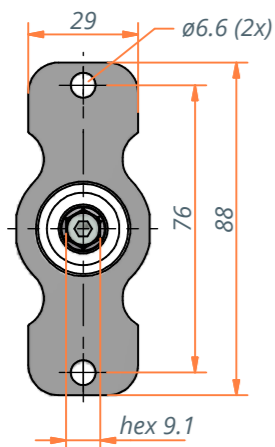


Variants

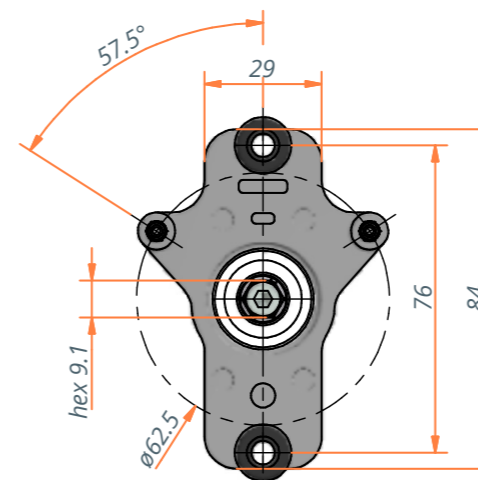
3130.14-V02EXXXHXXX
 3130.14-V12EXXXHXXX
 3130.14-V22EXXXHXXX



View Y



View Y



View X

ø3.4 (2x) mounting holes
 for screw WN1452 K40x16
 tightening torque 1.8 Nm

