

Drive with throughgoing spindle 3146

Description

Direct current motor with worm gear and through-going not rotating spindle for push and pull movements.

Special features

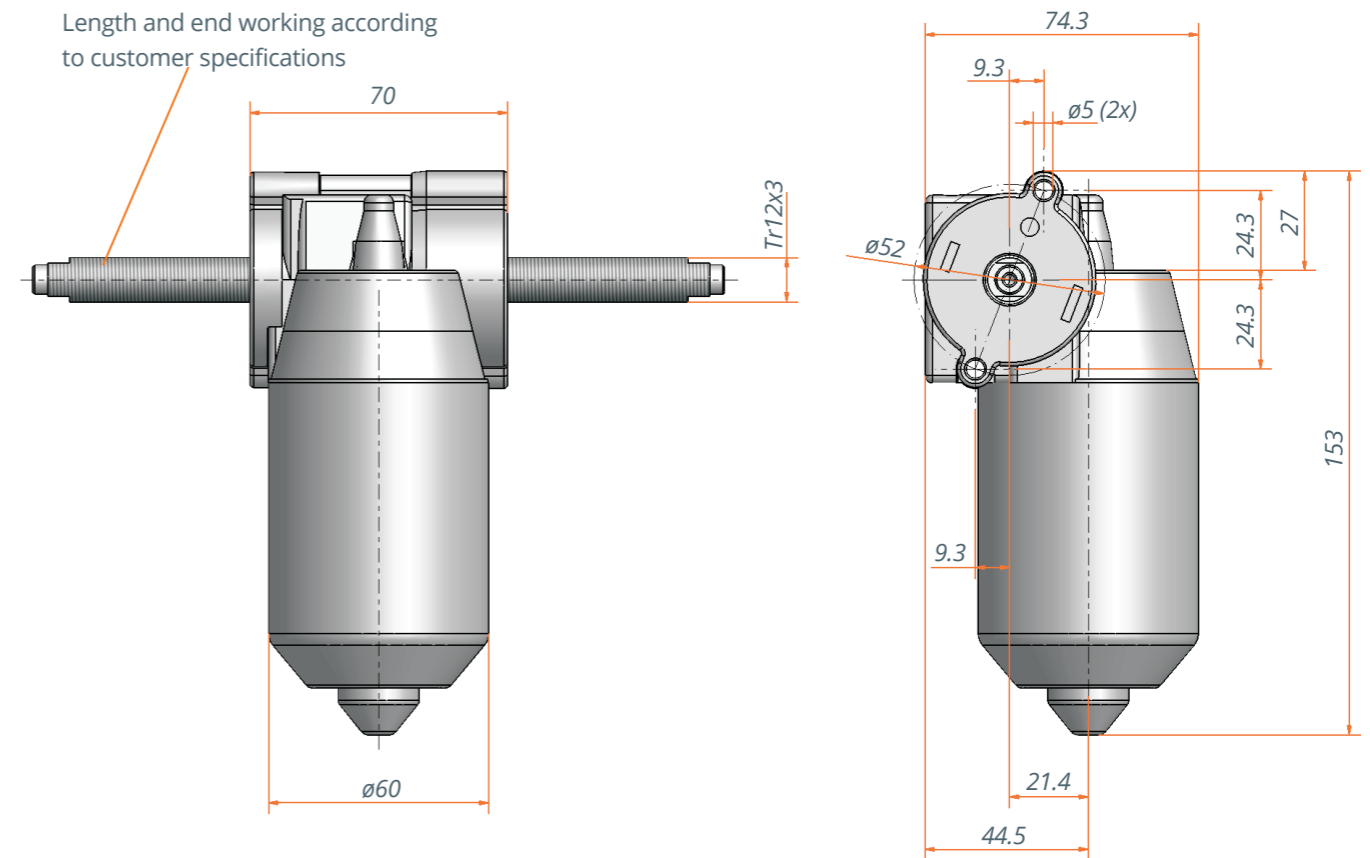
- Integrated position measuring system
- Spindle pitch can be modified to customer requirements



Technical data

Model	3146
Motor	DC Motor 18 V
Sensor/Power supply	Hall/5 V DC/0.3 A
Protection class	IP30
Duty cycle	20% (at 5 min.)
Idle running speed	90 rpm (24 V) 130 rpm *
Type of spindle	Tr12x3 RH
Max. drive torque	1200 N
Movement speed	4 mm/s

* In combination with LogicData control box Compact-3



Technical notes

- Depending on the the spindle pitch, the system could back-drive.