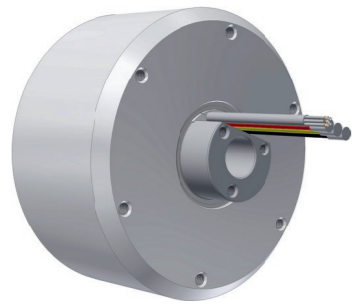


i-Rex-A-130-70 3207

Description

The 32-pole BLDC outrunner motor with its compact design is perfectly suited for a direct drive. It can achieve torques of up to 13 Nm, even in continuous operation. The stable bearing allows for high radial loads.



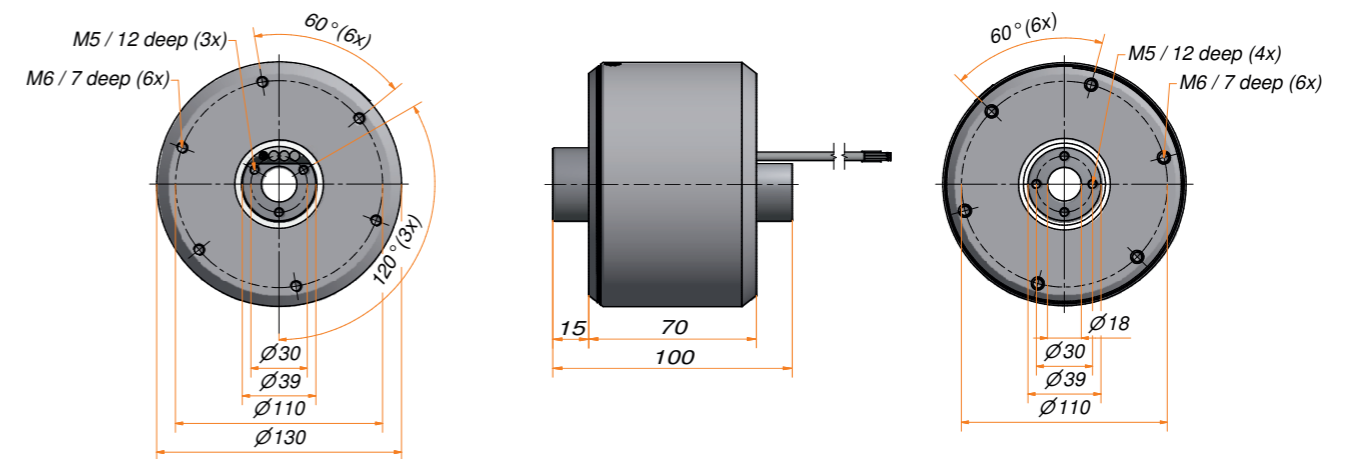
Special features

- The motor is attached via the fixed center axle, which protrudes from one or both sides
- The continuous hollow axle allows for media and lines to be passed through the motor
- With a coating that is applied directly on the outer diameter, a wheel hub drive with a diameter of 170 mm can be achieved

Technical data

| Model | 3207.48-0001/-0010 | | |
|-----------------------------|--------------------|--------------|--------------|
| Voltage range | 12 V to 48 V | 12 V to 48 V | 12 V to 48 V |
| Rated voltage | 24 V | 36 V | 48 V |
| Rated current | 14 A | 14 A | 14 A |
| Rated torque | 6 Nm | 6 Nm | 6 Nm |
| Rated speed | 460 rpm | 700 rpm | 960 rpm |
| Rated power (output) | 290 W | 450 W | 600 W |
| Max. efficiency | 94 % | 90 % | 90 % |
| Idle speed | 680 rpm | 1.000 rpm | 1.350 rpm |
| Starting torque | 18 Nm | 18 Nm | 18 Nm |

3207.48-0001



3207.48-0001

