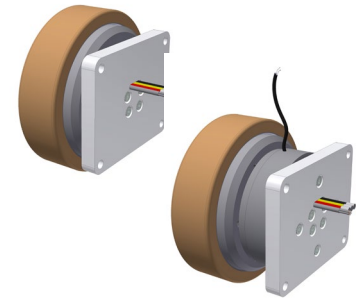


i-Wheel-A-170-73 3213



Description

The gearless external rotor motor guarantees smooth running and cuts an impressive figure with its small size. The high-torque external rotor motor is fully integrated into the hub. The Vulkollan coating is suitable for heavy-duty applications.

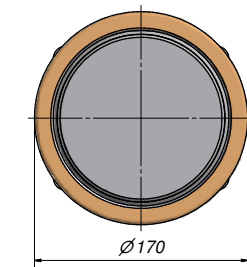
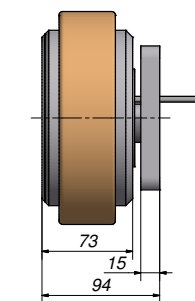
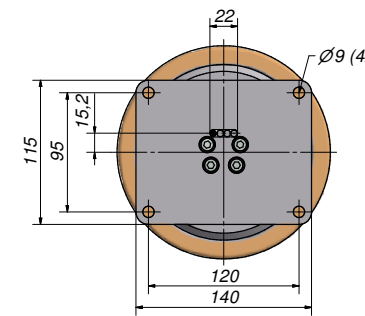
Special features

- The drive has a very small overall depth, allowing users a tremendous amount of creative freedom when designing the layout of vehicles
- The wheel drive is available with or without a brake
- The flange plate can be individually adapted to suit your requirements
- It is possible to customize the drive

Technical data

Model	3213		
Rated voltage	24 V	36 V	48 V
Rated current	14 A	14 A	14 A
Rated torque	6 Nm	6 Nm	6 Nm
Rated speed	460 rpm	700 rpm	960 rpm
Rated power (output)	290 W	450 W	600 W
Max. efficiency	94 %	90 %	90 %
Idle speed	18 Nm	18 Nm	18 Nm
Coating of tyres	Vulkollan 93° Shore A	Vulkollan 93° Shore A	Vulkollan 93° Shore A
Max. radial axle load F_r	2,500 N	2,500 N	2,500 N
Max. axial axle load F_a	800 N	800 N	800 N
Weight	5.7 Kg	5.7 Kg	5.7 Kg
Brake optional			
Braking force	36 N	36 N	36 N
Power supply	24 V / 22 W	24 V / 22 W	24 V / 22 W
Weight	2.5 Kg	2.5 Kg	2.5 Kg

3213



3213 with brake

