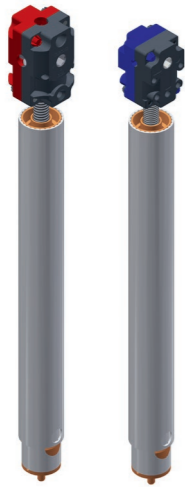


# Bevel gear with synchronous telescopic-spindle 4115.00



## Description

Twofold telescopic lifting unit with bevel gear head for various linear drive solutions. Ideal for electromotive sit-stand workplace applications or wherever an infinite linear adjustment is required at a high speed, maximum stroke with a minimum installation dimension. The lifting unit is available in customized spindle lengths.

## Special features

- Double speed through synchronous telescope design
- Maximum stroke with minimum installation dimension
- With gear head 3039 or 3045
- Ratio 1:1
- Drive torque on gear head : max. 4 Nm or 5.5 Nm
- Hardened steel bevel wheels with robust, reinforced toothing
- Ideal for electromotive drives
- Available in different spindle lengths

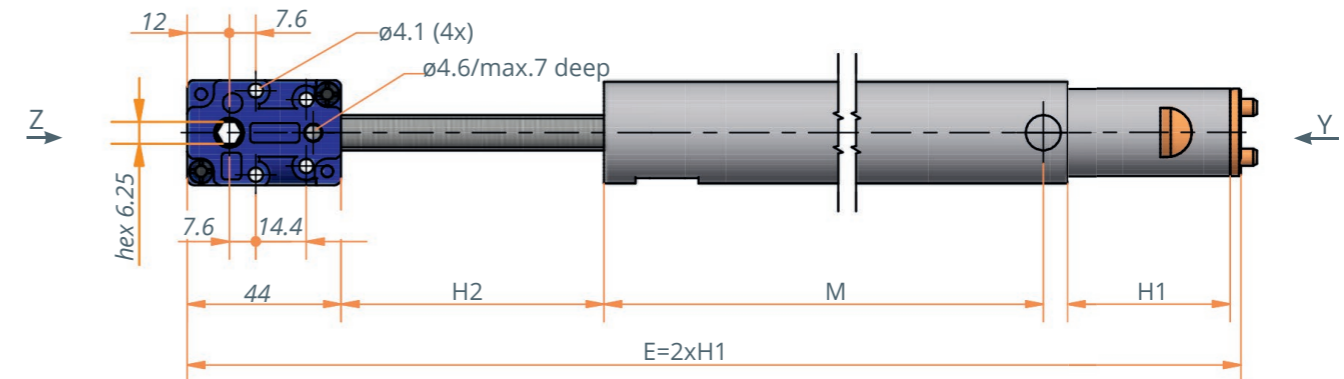


## Technical data

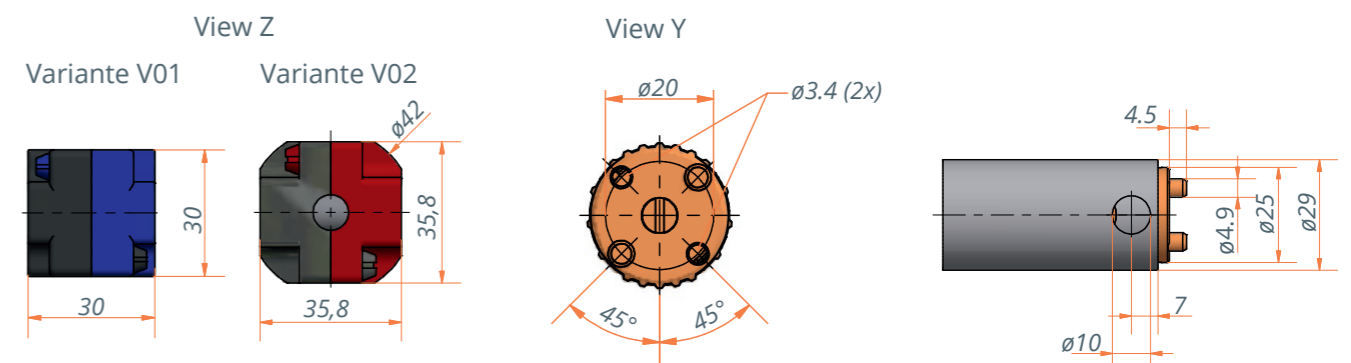
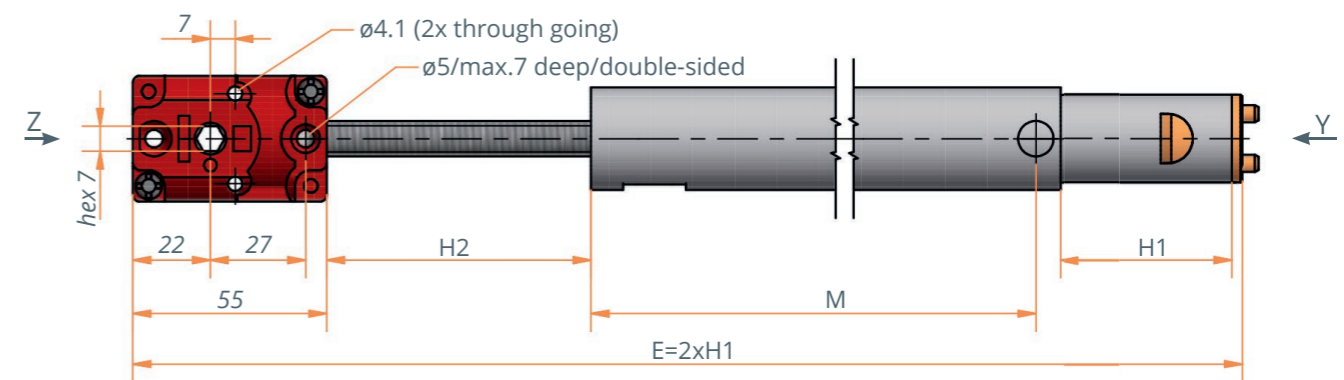
Model	4115.00-V01EXXXMXXX	4115.00-V02EXXXMXXX
<b>Gear head</b>	3039	3045
<b>Ratio</b>	i= 1:1	i= 1:1
<b>Input</b>	hex 6 mm	hex 7 mm
<b>Type of spindle</b>	SG20x10P2 RH SG10x10P2 RH	SG20x10P2 RH SG10x10P2 RH
<b>Travel path</b>	20 mm/rotation synchronous spindle movement	20 mm/rotation synchronous spindle movement
<b>Traverse speed*</b>	40 mm/s	40 mm/s
<b>Retracted length E</b>	customized min. 485 mm, max. 560 mm	customized min. 485 mm, max. 560 mm
<b>Stroke*</b>	656 mm	656 mm
<b>Max. lifting force</b>	dynamic 800 N static 900 N	dynamic 900 N static 900 N
<b>Required drive torque</b>	3.5 Nm	3.5 Nm

\* In connection with motor 3143.00 - 200X and LogicData control box Compact-3

4115.00-V01EXXXHXXX



4115.00-V02EXXXHXXX



## Technical notes

- The lifting units must be protected against lateral forces by a separate guide system.
- Attention: The spindle systems with a spindle pitch  $\geq 3$ mm may not be self-locking. Check the self-locking effect in the application.
- The lifting unit is only pressure loadable.
- Incorrect dimensioning of the guide system can

damage the lifting unit: Please note the design and safety instructions for spindle drives. You will find them at: [https:// www.ketterer.de/en/downloads/instructions](https://www.ketterer.de/en/downloads/instructions)