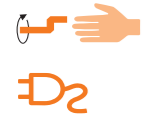
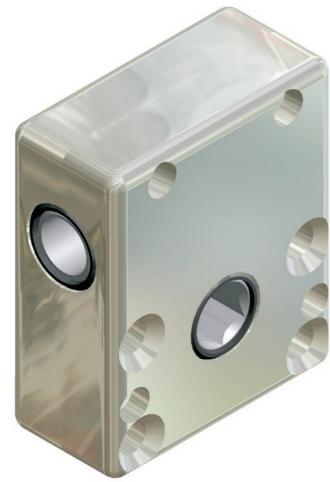


# Worm gear 4747/4749/...

## Input broad side

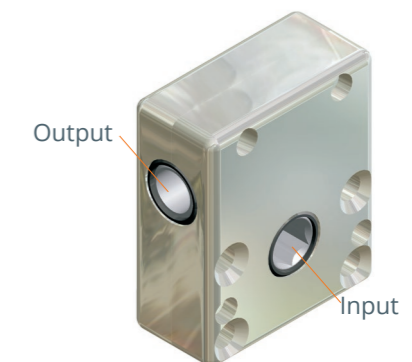
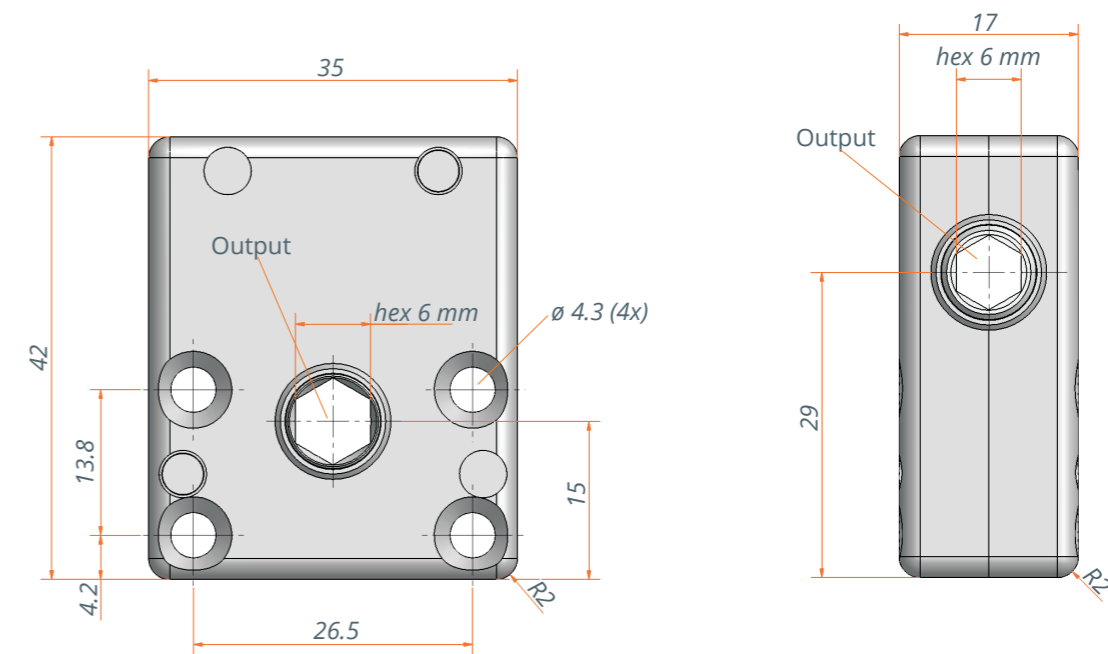


### Description

Compact, universally usable and maintenance-free worm gearbox in a size with an axle distance of 14 mm and various reduction ratios. The drive is located on the wide side of the gearbox. The worm wheel assembly is right-handed. The direction of rotation on the shaft is arbitrary. The gearbox is characterised by a compact design with maximum torque, sturdiness and smooth power transmission. Simple mounting is made possible by a flexible screw fixing.

### Special features

- Maintenance-free grease lubrication
- Case hardened worm and cog wheel
- Housing made of zinc die-casting
- Special model with bronze bearing
- Size 42 x 35 x 17 mm
- 6 ratios as standard
- On request other ratios are possible
- Axial distance 14 mm
- Input / Output hex 6 mm
- On request also possible with counter-clockwise-ascending worm and wheel set



### Technische Angaben

Model	4747.00-00	4749.00-00	4751.00-00
Ratio	4.33:1	2.5:1	1:1
Static self-locking	Yes	No	No
Max. output torque	2 Nm	2 Nm	2 Nm
Max. input torque	3 Nm	3 Nm	4 Nm

Baureihe	4752.00-00	4754.00-00	4755.00-00
Ratio	3.33:1	6:1	13:1
Static self-locking	Yes	Yes	Yes
Max. output torque	2.5 Nm	3 Nm	3 Nm
Max. input torque	3 Nm	2 Nm	1 Nm