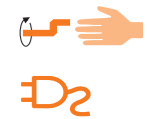


Worm gear 4748/4750/...

Input narrow side

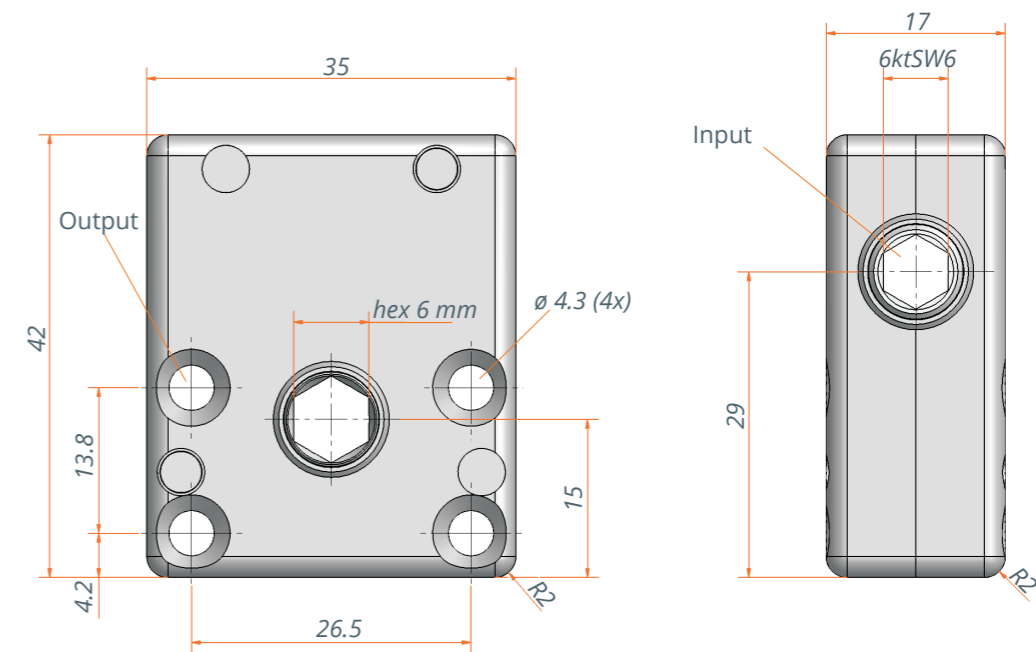


Description

Compact, universally usable and maintenance-free worm gearbox in a size with an axle distance of 14 mm and various reduction ratios. The drive is located on the narrow side of the gearbox. The worm wheel assembly is right-handed. The direction of rotation on the shaft is arbitrary. The gearbox is characterised by a compact design with maximum torque, sturdiness and smooth power transmission. Simple mounting is made possible by a flexible screw fixing.

Special features

- Maintenance-free grease lubrication
- Case hardened worm and cog wheel
- Housing made of zinc die-casting
- Special model with bronze bearing
- Size 42 x 35 x 17 mm
- 8 ratios as standard
- On request other ratios are possible
- Axial distance 14 mm
- Input / Output hex 6 mm
- On request also with counterclockwise-ascending worm and wheel set



Technical data

Model	4748.00-00	4750.00-00	4751.00-00	4753.00-00
Ratio	4.33:1	10:1	1:1	2.8:1
Static self-locking	Yes	Yes	No	No
Max. output torque	2 Nm	4 Nm	2 Nm	2.5 Nm
Max. input torque	3 Nm	3 Nm	4 Nm	3 Nm

Model	4757.00-00	4758.00-00	4763.00-00	4767.00-00
Ratio	14:1	15:1	23:1	2:1
Static self-locking	Yes	Yes	Yes	No
Max. output torque	5 Nm	4 Nm	3 Nm	2 Nm
Max. input torque	2.5 Nm	1 Nm	1 Nm	3 Nm

