

Crank-handle 5187



Description

Crank-handle grip and crank extension are made of glass-fibre reinforced synthetic material.

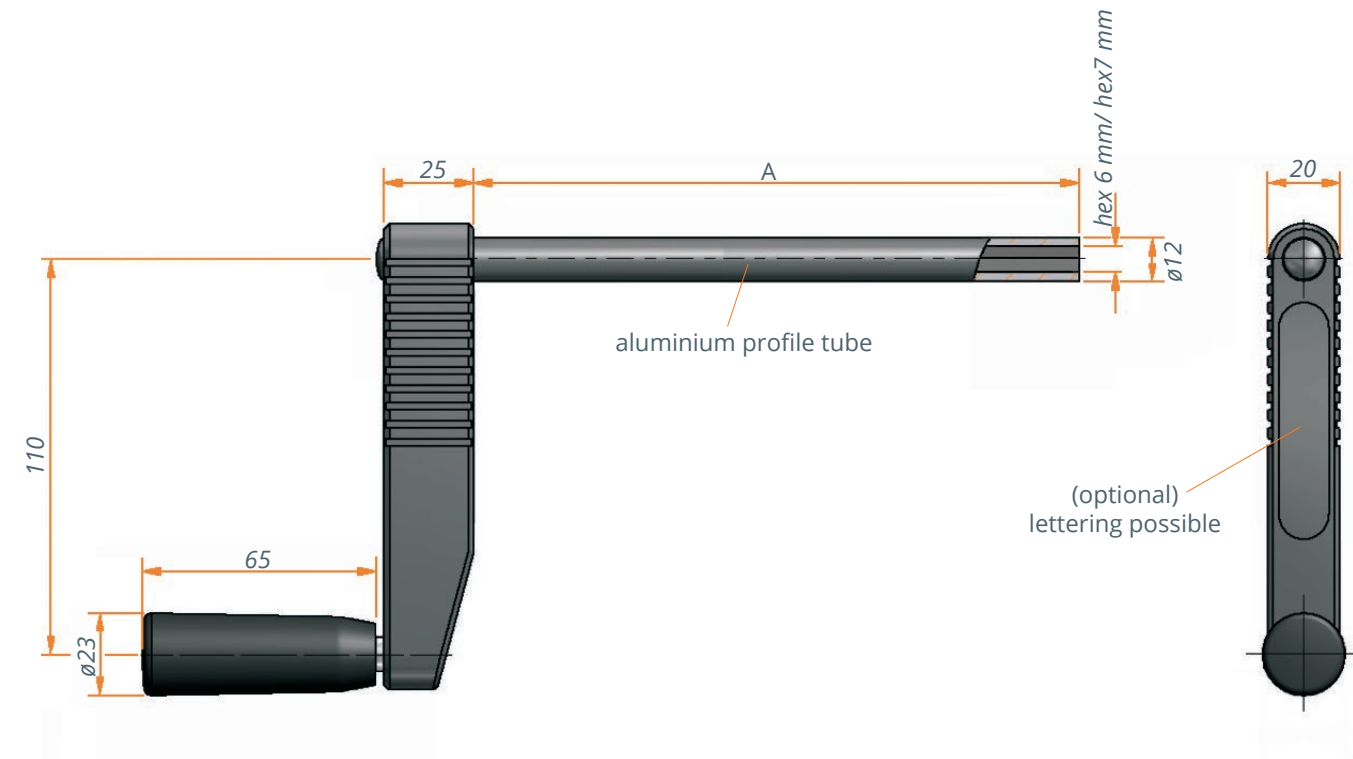
Special features

- Modern design
- On request, the type and the length of the hexagonal bolt as well as the colour of the crank body can be produced to customer specifications
- On request, an own logotype is possible

Variant key

5187.00 V XX A XXX

→ Length of crank extension: XXX in mm
 → Type of profile tube: 01 Inner hex 6 mm
 02 Inner hex 7 mm



Technical data

Model	5187.00-V01AXXX	5187.00-V02AXXX
Crank extension	Customer specific	Customer specific
Type of profile tube	Inner hex 6 mm	Inner hex 6 mm
Material	Synthetic crank body and handle	Synthetic crank body and handle
Length A	Customer specific	Customer specific
Colour	Black (more colours available on request)	Black (more colours available on request)

Application example

